

# WIN-PAK<sup>®</sup> PE with VISTA Integration



## Integrated Access Control Solutions

WIN-PAK<sup>®</sup> PE with VISTA integration is the professional version of Honeywell's newest access control software. By combining the strength of access control, digital video and intrusion into one powerful system, WIN-PAK PE with VISTA improves scalability, capability and control.

WIN-PAK PE with VISTA provides a layer of integration across multiple accounts through the software. Whether you are using WIN-PAK PE for a single location or managing multiple accounts and sites, the integration affords a more robust platform with increased functionality to satisfy all of your customers' needs. Functions that have traditionally been tied together using physical relays and input devices are now controlled logically--making it easier to manage multiple sites from a single interface with logical versus physical hard relay control.

VISTA integration helps dealers reduce service calls and increase response time by allowing them to connect to customers directly. By using the direct command control or a virtual keypad, dealers

can monitor real-time status and control remotely without having to dispatch a technician to the site. This is ideal for monitoring remote sites over long distances, as well as managing multiple sites from a single location.

WIN-PAK's integration also simplifies the access process and eliminates code-sharing by allowing users to arm or disarm the intrusion system using a card. An image of the cardholder can also be captured by the digital video system in order to verify the identity of the individual performing certain functions. This is an improvement over a typical non-integrated solution where devices are unaware of different authorities between systems.

WIN-PAK PE with VISTA offers the advanced reporting capabilities that customers are demanding. Users can create customized reports or choose from a variety of predefined reports, and functionality has been added to allow reports and events to be sent via e-mail that incorporates easy-to-read text that provides all the content and detail that customers require.

## FEATURES

- Unlimited account support
- Unrestricted users
- Multiple communications servers
- Quick start setup and configuration wizards
- Real-time alarm/event monitoring
  - 99 priority levels
  - Control and response, including acknowledge, clear, annotate, live video, recorded video
  - Manual override, lock and unlock doors, shunt/unshunt zones and input points
  - Manual override of system functions
    - Lock and unlock doors
    - Arm/disarm partitions and zone
    - Bypass/Un-bypass zones
  - Generate predefined or customized reports using easy templates
  - Schedule e-mail or printed reports
- CCTV control interface to most popular matrix switchers
- Schedule guard tours
- Enhance elevator control
- Global anti-passback processing
- Content-sensitive help screens
- Dynamic floor plans
  - Control devices
  - Floor plan linking
  - Acknowledge/clear alarms
  - Visual feedback
- Operating systems supported: Windows<sup>®</sup> Vista Enterprise\*, Windows<sup>®</sup> Vista Business\*, Windows<sup>®</sup> XP Professional SP2 and Windows<sup>®</sup> 2003 Server
 

\*SQL Server™ 2005 or SQL Server™ 2005 Express Edition must be loaded on the computer before WIN-PAK PE is installed.

# WIN-PAK<sup>®</sup> PE with VISTA Integration

## Integrated Access Control Solutions

### BENEFITS



#### Seamless Integration

WIN-PAK PE with VISTA integration brings together Honeywell's WIN-PAK access control system, VISTA intrusion control panel, Rapid Eye Multi-Media Series DVRs and LobbyWorks™ Visitor Management System. The ability to integrate these technologies from one manufacturer now makes it easier for major enhancements to existing systems, or to significantly improve the operation of new security systems. This practically eliminates the confusion and compatibility issues brought on by different systems from many manufacturers.

#### Enhanced Security

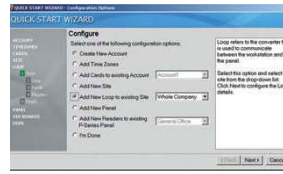


The integration to the Rapid Eye Multi-Media Series DVR extends storage space and facilitates easy identification, retrieval and playback of events and alarms. Access or intrusion events can provide operator notification alerting users to view live video or easily retrieve video playback of access or intrusion events directly within WIN-PAK PE.



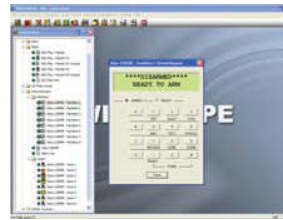
#### Multi-Site System Integration

WIN-PAK PE allows all remote sites to be accessed through a workstation server. All integration can be accomplished using existing infrastructure and enhances the software capability.



#### Fast and Easy Setup

Setup is quick and easy using the WIN-PAK PE quick start wizards. Wizards make programming simple by taking users step-by-step through installation and programming.



#### Increased Intrusion Function

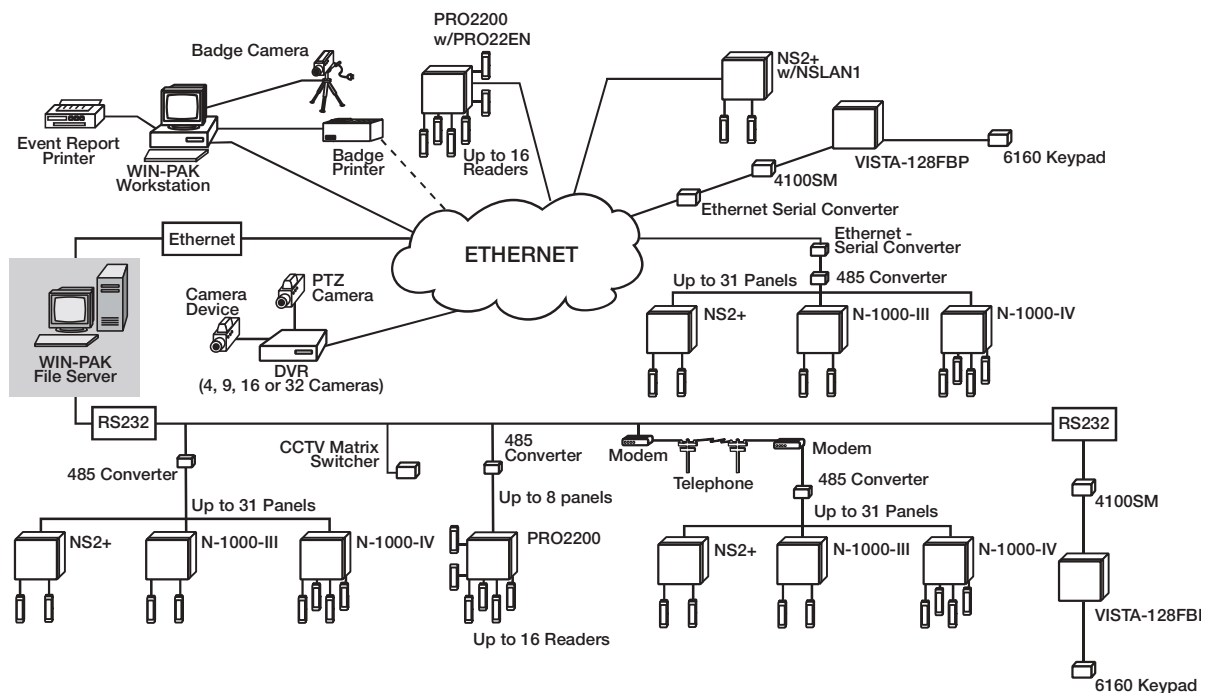
Add WIN-PAK PE to an existing VISTA-128FBP or VISTA-250FBP installation and take advantage of the powerful functionality of the software. Enhanced functions include dynamic graphical floor plans, customized report generation for intrusion events and user actions, on-screen virtual keypad, real-time event and alarm reporting, and more.

#### Reduce False Alarms, Unauthorized Access



WIN-PAK PE with VISTA integration reduces unwanted alarms caused by improper keypad operation, incorrect codes or unauthorized access to sensitive areas. Reports can be generated to help businesses improve on their operating efficiencies.

### CONFIGURATION



## INTEGRATION CAPABILITIES

Honeywell's innovative WIN-PAK PE with VISTA and Rapid Eye Multi-Media Series combines three leading products into a solution powerful enough to handle virtually any integrated security requirement. The unique combination of access control, video and intrusion also saves time and money by reducing training and labor.

### Key Integration Features

- Grant access and disarm system on valid card read
- Arm system on valid triple card read
- View live video from up to 16 cameras simultaneously
- Valid/invalid cardholder verification
- Arm/disarm video verification
- Pop-up video on access or intrusion function
- Virtual alarm touchpad
  - View intrusion control panel status
  - Vista keypad control through WIN-PAK software
- Live system control
  - Arm/disarm intrusion system
  - Multiple partition control
  - Bypass/unbypass doors
  - Live camera view, including PTZ

### Key Integration Benefits

- Save time and money by managing three separate systems with one easy-to-use software interface.
- Improve the level of security by eliminating user code sharing. Increase security by using a unique card to disarm a system and grant access at the door.

- WIN-PAK PE software interface allows users to retrieve and playback video associated with intrusion and access control.
- Automated reporting allows users to send up-to-date reports on intrusion and access events hourly, daily, weekly or monthly.
- Reduce employee down-time by only requiring training on one system.
- Align WIN-PAK PE with VISTA integration with existing system needs for an added level of security.
- Expand to meet current and future needs. Start with access and add video or intrusion later as requirements change.

### Typical Applications

- Office buildings
- Campus environments
- Multi-location facilities
- Remote managed applications
- Schools/Universities
- Hospitals
- Warehouse/Manufacturing

## SUPPORTED INTEGRATION DEVICES





# WIN-PAK<sup>®</sup> PE with VISTA Integration

## Integrated Access Control Solutions

### ORDERING

#### Software

<b>WPPE</b>	Unrestricted users and communication servers
<b>WPPEV</b>	Unrestricted users and communication servers with VISTA integration

#### Upgrades

<b>UKWPPEV</b>	Upgrade from WIN-PAK 2005 single user or WIN-PAK Release 4 single user to WIN-PAK PE with VISTA integration
<b>U5WPPEV</b>	Upgrade from WIN-PAK 2005 5-user or WIN-PAK Release 4 5-User to WIN-PAK PE with VISTA integration
<b>USEPEV</b>	Upgrade from WIN-PAK SE single user to WIN-PAK PE with VISTA integration
<b>USE5PEV</b>	Upgrade from WIN-PAK SE 5-user to WIN-PAK PE with VISTA integration

#### Recommend computer requirements:

Pentium<sup>®</sup> D 3Ghz, 1GB RAM, Windows XP Professional SP2

WIN-PAK<sup>®</sup> is registered trademark of Honeywell International Inc.

Microsoft<sup>®</sup>, Windows<sup>®</sup> Server 2003<sup>®</sup>, Windows<sup>®</sup> XP and Windows<sup>®</sup> 2000, Windows Vista, SQL 2005 Server and SQL 2005 Server Express Edition are registered trademarks of Microsoft Corporation.

#### For more information:

[www.honeywellaccess.com](http://www.honeywellaccess.com)

#### Honeywell Security

Honeywell Access System  
2700 Blankenbaker Pkwy, Suite 150  
Louisville, KY 40299  
800-675-3364

[www.honeywell.com](http://www.honeywell.com)

L/WNPKVPED/D  
August 2007  
© 2007 Honeywell International Inc.