

NEW!

VISTA-250FBP/V250FBP-24

Designed to integrate seamlessly with CCTV, access control and ADEMCO's full range of fire and burglary components, the new VISTA-250FBP provides the ultimate protection of life and property. The UL listed Commercial Fire and Burglary Control Platform controls up to eight partitions, and supports up to 250 zones/points using hardwired, wireless and **VIZET** addressable technologies. A diverse line of ADEMCO initiating devices, notification circuits, digital dialers, keypads, RF receivers and relays are supported by this extremely powerful control platform. The VISTA-250FBP has been designed to mount quickly and easily in an attack resistant cabinet, and is available in 12V and 24V models. A revolutionary new feature called **PANEL LINKING** allows multiple partitions, panels – even buildings – to be armed, disarmed and have status checked all from one location.



**Commercial
Fire/Burg/CCTV
and Access
Control
Platform**

FEATURES:

- Eight hardwired zones standard, expandable to 242 **VIZET** addressable points/zones or 250 wireless points/zones
- Can control eight separate areas independently (8 partitions)
- Supports Panel-Linking allows up to 8 systems or building to be controlled from one central location (using VA8200)
- Supports Commercial UL Wireless Fire and Burg
- Stores up to 1000 events and can accommodate 250 user codes
- Supports **VIZET** addressable VistaKey access control (up to 15 doors and 500 cards)*
- Supports up to 16 doors of access control using Vista Gateway Module (VGM)*
- Supports CCTV applications with the new VistaView-100 CCTV Switcher Module
- False alarm prevention features to help reduce false alarms
- Identifies the point or zone of a fire or alarm using the new FSA-8/FSA-24 Fire System Annunciator
- Two on-board notification (bell) circuits delivering 2.3 amp @ 12V or 3.4 amp @ 24V
- Automatic smoke detector sensitivity maintenance testing
- 4-wire smoke reset using on-board J₂ output trigger
- Supports Dynamic Signaling for LRR backup
- Supports Remote Control-via the internet**
- Supports Internet Alarm Reporting**
- Supports Graphical User Interface Consoles
- Supports AlphaNumeric Pager up to eight different numbers using the VA8201



UL approved
for ANSI/SIA
CP-01-2000

* Connects to Northern Computer's PassPoint Access Control Systems. Maximum 32 doors.

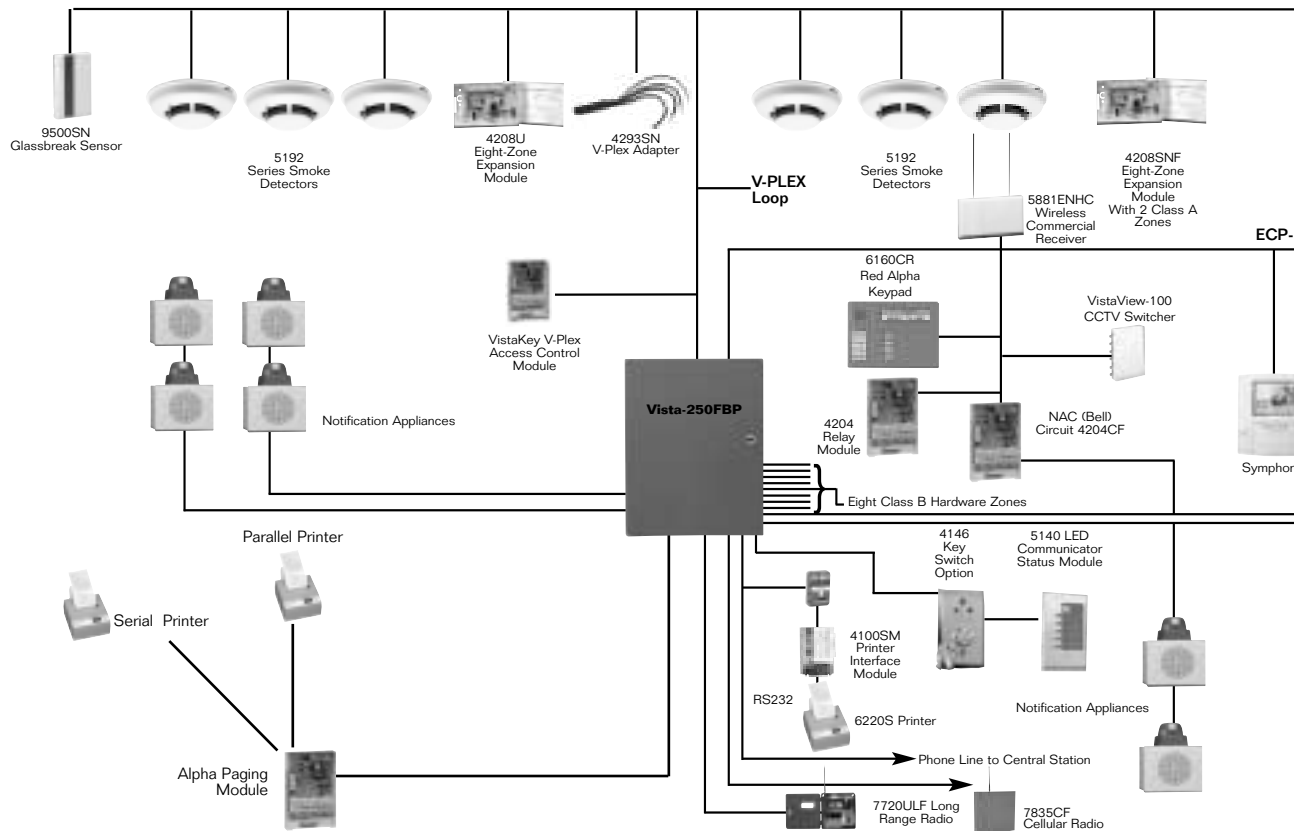
** When used with AlarmNet-i.

**ADEMCO
GROUP**

VISTA-250FBP/V250FBP-24

Additional Features

- Notification Appliance Circuits (two):
 - Programmable
 - Temporal code compliant
 - Individually silenceable
- Programmable on-board auxiliary relay
- SIA false alarm reduction features:
 - Exit error logic
 - Exit delay reset
 - Cross zoning
 - Call waiting defeat
 - Recent close report
- Supports commercial hardwired, addressable **V-PLEX** polling loop and wireless zones
- Hardwired zones
 - Provides eight style B hardwired zones
 - EOLR supervised for Fire and UL burglary installations
 - Supports N.O or N.C. sensors
 - Individually assignable any partition
 - Up to 32 two-wire smoke detectors each on zone one and two (64 total)
 - Up to 50 two-wire glassbreak detectors on zone eight
- Patented addressable **V-PLEX** polling loop technology
 - Supports 242 two-wire zones points
 - Global polling technology for faster processing
 - Increased current draw capacity (128mA)
 - Supervised by panel
 - Individually assignable to partitions, notification circuit (bell) output or aux relay
 - 4,000 ft capability without the use of shielded cable
 - Extender/Isolation bus module
 - Two-wire smoke detector zone/group expansion module adds two or four zones
- Eight zone – Class A and B extender module
- Eight zone – Class B extender module
- One zone supervised contact monitor module
- UL Listed wireless expansion
 - Supports up to 250 wireless zones/points using 5881ENHC Receiver
 - Supervised by control for check-in signals
 - Tamper protection for transmitters
 - Individually assignable up to eight partitions
 - Supports UL864/NFPA approved wireless smoke detectors
- Access Control Integration
 - Full integration with PassPoint Access Control System Complete Gateway interface of Vista and access functions
- Up to 15 doors using VistaKey **V-PLEX** Access Control
- Event reporting
- Local printer of access or VISTA related event
- Scheduled uploading of events to central station
- Stored events for one call retrieval
- Communication
 - Phone mapping by zone response type
 - Supports VIP Interactive Phone Voice Module
 - Panel operation during download
 - Uploading equipment list to central station
 - Communication to PassPoint via Vista Gateway Module
- CCTV integration
 - Supports VistaView-100 ECP based CCTV switchers



Applications

Supported by a diverse line of ADEMCO initiating devices, the powerful VISTA-250FBP is the ideal integrated fire and burglary control for applications where a higher level of security is necessary – including medical and professional buildings, supermarkets, churches and synagogues, office buildings, schools, universities, strip malls, larger residences and factory or warehouse environments.

Installation

The VISTA-250FBP alarm system has been designed to mount both quickly and easily. It meets all applicable requirements for UL commercial fire and burglary installations.

Specifications

Electrical:

- Primary power: 18VAC @ 72VA ADEMCO No. 1451
- Control Panel quiescent current draw: 350mA
- Backup battery:
 - 12VDC, 12AH min to 34.4AH max
 - Lead acid battery (gel type)
- Alarm power: 12VDC, 1.7A max for each notification (bell) circuit output Total 2.3amps @ 12V
- Aux. standby pwr: 12VDC, 1A max
- Total power: 2.3A at 12VDC, 3.4A at 24VDC from all sources
- Standby time: 24 hours with 1A standby load using 34.4AH battery
- Fusing: Battery input, aux. and notification (bell) circuit outputs are protected using PTC circuit protectors. All outputs are power limited
- Optional 24-volt Power supply, PS 24 Supplies two 24 VFW, 1.7A Full Wave Rectified, Unfiltered outputs.

Main Dialer:

- Line seize: Double Pole
- Ringing equiv.: 0.7B
- Formats: ADEMCO Low Speed, ADEMCO 4+2 Express, ADEMCO High Speed, ADEMCO Contact ID, Sescoa and Radionics
- Dual phone line capability (using 5140DLM module)

Cabinet dimensions:

- 18"H X 14.5"W X 4.3"D

Environmental:

- Storage temp: -10°C to 70°C
- Operating temp: 0°C to 50°C
- Humidity: 85% RH
- EMI: Meets or exceeds the following requirements:
 - FCC Part 15, Class B Device
 - FCC Part 68
 - IEC EMC Directive

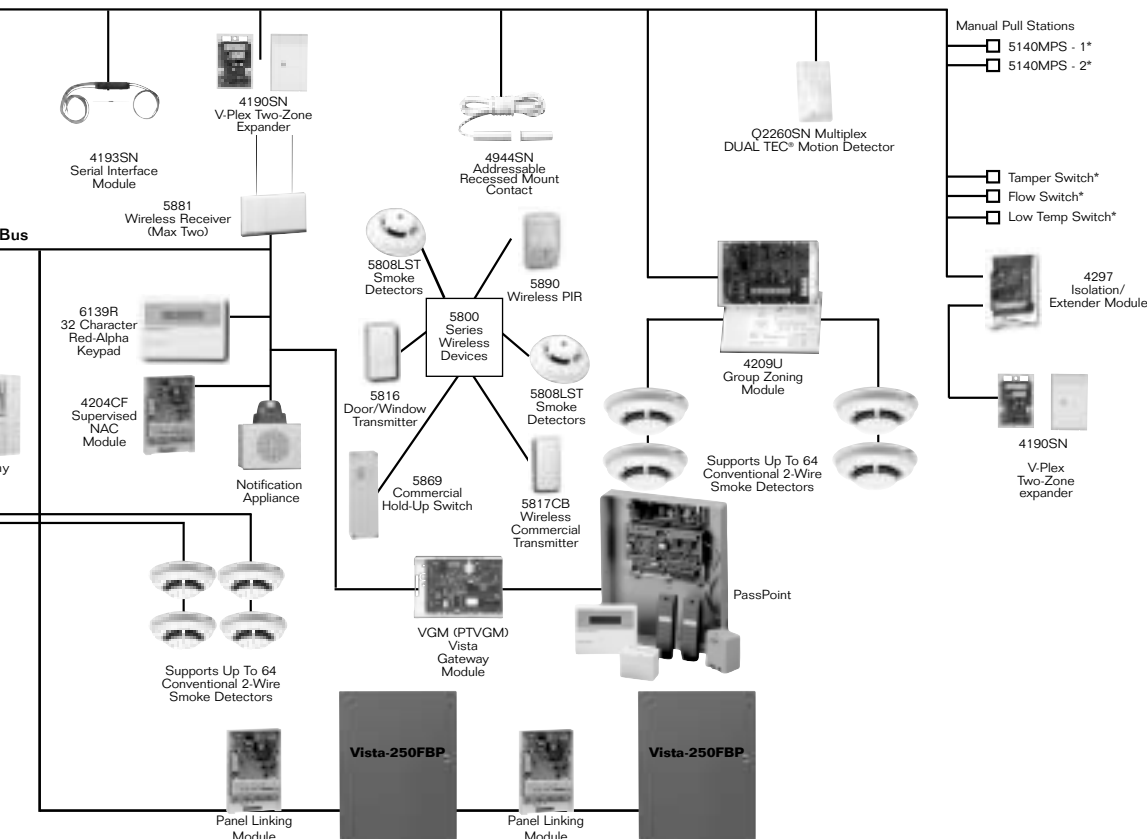
Agency Listings

Burglary:

- UL609 Grade A Local Mercantile Premises and Mercantile Safe and Vault
- UL611/1610 Grades A, AA, Central Station
- UL365 Grades A, AA Police Connect

Fire:

- UL864/NFPA72 Local, Central Station and Remote Station
- Factory Mutual (pending)
- California State Fire Marshal
- MEA (pending)
- UL985



VISTA-250FBP/V250FBP-24

ADEMCO
GROUP

Additional Features

- Notification Appliance Circuits (two):
 - Programmable
 - Temporal code compliant
 - Individually silenceable
- Programmable on-board auxiliary relay
- SIA false alarm reduction features:
 - Exit error logic
 - Exit delay reset
 - Cross zoning
 - Call waiting defeat
 - Recent close report
- Supports commercial hardwired, addressable **V-PLEX** polling loop and wireless zones
- Hardwired zones
 - Provides eight style B hardwired zones
 - EOLR supervised for Fire and UL burglary installations
 - Supports N.O or N.C. sensors
 - Individually assignable any partition
 - Up to 32 two-wire smoke detectors each on zone one and two (64 total)
 - Up to 50 two-wire glassbreak detectors on zone eight
- Patented addressable **V-PLEX** polling loop technology
 - Supports 242 two-wire zones points
 - Global polling technology for faster processing
 - Increased current draw capacity (128mA)
 - Supervised by panel
 - Individually assignable to partitions, notification circuit (bell) output or aux relay
 - 4,000 ft capability without the use of shielded cable
 - Extender/Isolation bus module
 - Two-wire smoke detector zone/group expansion module adds two or four zones
- Eight zone – Class A and B extender module
- Eight zone – Class B extender module
- One zone supervised contact monitor module
- UL Listed wireless expansion
 - Supports up to 250 wireless zones/points using 5881ENHC Receiver
 - Supervised by control for check-in signals
 - Tamper protection for transmitters
 - Individually assignable up to eight partitions
 - Supports UL864/NFPA approved wireless smoke detectors
- Access Control Integration
 - Full integration with PassPoint Access Control System Complete Gateway interface of Vista and access functions
- Up to 15 doors using VistaKey **V-PLEX** Access Control
- Event reporting
- Local printer of access or VISTA related event
- Scheduled uploading of events to central station
- Stored events for one call retrieval
- Communication
 - Phone mapping by zone response type
 - Supports VIP Interactive Phone Voice Module
 - Panel operation during download
 - Uploading equipment list to central station
 - Communication to PassPoint via Vista Gateway Module
- CCTV integration
 - Supports VistaView-100 ECP based CCTV switchers

Applications

Supported by a diverse line of ADEMCO initiating devices, the powerful VISTA-250FBP is the ideal integrated fire and burglary control for applications where a higher level of security is necessary – including medical and professional buildings, supermarkets, churches and synagogues, office buildings, schools, universities, strip malls, larger residences and factory or warehouse environments.

Installation

The VISTA-250FBP alarm system has been designed to mount both quickly and easily. It meets all applicable requirements for UL commercial fire and burglary installations.

Specifications

Electrical:

- Primary power: 18VAC @ 72VA ADEMCO No. 1451
- Control Panel quiescent current draw: 350mA
- Backup battery:
 - 12VDC, 12AH min to 34.4AH max
 - Lead acid battery (gel type)
- Alarm power: 12VDC, 1.7A max for each notification (bell) circuit output Total 2.3amps @ 12V
- Aux. standby pwr: 12VDC, 1A max
- Total power: 2.3A at 12VDC, 3.4A at 24VDC from all sources
- Standby time: 24 hours with 1A standby load using 34.4AH battery
- Fusing: Battery input, aux. and notification (bell) circuit outputs are protected using PTC circuit protectors. All outputs are power limited
- Optional 24-volt Power supply, PS 24 Supplies two 24 VFW, 1.7A Full Wave Rectified, Unfiltered outputs.

Main Dialer:

- Line seize: Double Pole
- Ringer equiv.: 0.7B
- Formats: ADEMCO Low Speed, ADEMCO 4+2 Express, ADEMCO High Speed, ADEMCO Contact ID, Sescoa and Radionics
- Dual phone line capability (using 5140DLM module)

Cabinet dimensions:

- 18" H X 14.5" W X 4.3" D

Environmental:

- Storage temp: -10°C to 70°C
- Operating temp: 0°C to 50°C
- Humidity: 85% RH
- EMI: Meets or exceeds the following requirements:
 - FCC Part 15, Class B Device
 - FCC Part 68
 - IEC EMC Directive

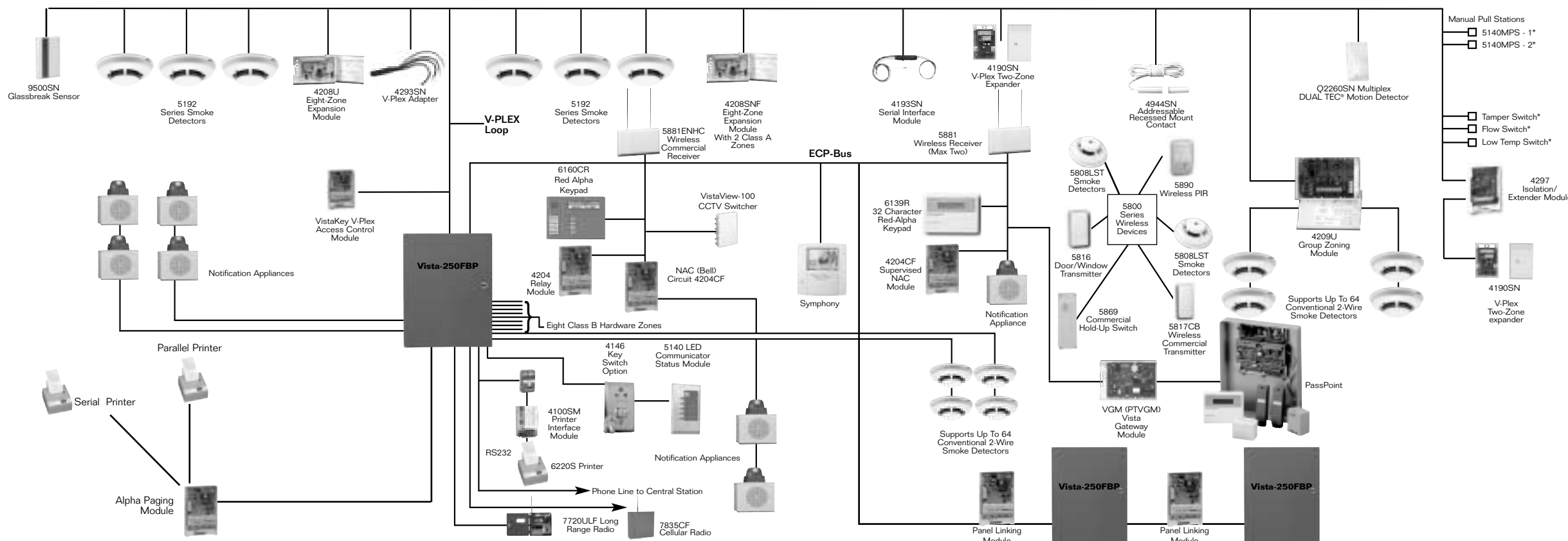
Agency Listings

Burglary:

- UL609 Grade A Local Mercantile Premises and Mercantile Safe and Vault
- UL611/1610 Grades A, AA, Central Station
- UL365 Grades A, AA Police Connect

Fire:

- UL864/NFPA72 Local, Central Station and Remote Station
- Factory Mutual (pending)
- California State Fire Marshal
- MEA (pending)
- UL985



VISTA-250FBP/V250FBP-24

SPECIFICATIONS:

Compatible Devices

See ADEMCO Group control accessories compatibility chart for complete list

Auxiliary Devices

- 4204 – Relay Module, four form C contacts
- 4204CF – Two supervised output circuits
- 5881 Series – RF receiver supporting 5800 wireless detectors
- 6220S – System printer used with 4100SM serial module
- 6139R – Red Alpha Keypad/annunciator
- 6160CR – Red Alpha Keypad
- FSA-8 & FSA-24 annunciator modules
- VA8200 – (PLM) Panel Linking Module
- VA8201 – (APM) Alpha Paging Module

Two-wire smoke detectors

conventional:

- System Sensor smoke detectors

Horn/Strobes:

- System Sensor Notification Appliances

Manual Pull Stations:

- 5140MPS-1
- 5140MPS-2

V-Plex (addressable) devices:

- 4101SN Single Relay/Zone Module
- 4190SN Remote Point Module – two zones
- 4193SN Two Zone Serial Interface Module
- 4208SNF Class A/B Expander Module
- 4208U Loop Expansion Module – eight zones
- 4209U Group Zoning Module – two/four zones
- 4293SN One Zone Serial Interface Module
- 4297 Isolation/Extender Module

V-Plex (addressable) Smoke Detectors:

- 5192SD • 4192SD • 4192CP
- 5192SDT • 4192SDT • 4192CPM
- 4192SDTM

V-Plex Passive Infrared Detectors:

- 998MX
- 4275EX-SN
- 4278EX-SN

V-Plex (addressable) Contacts:

- 4939SN-WH
- 4944SN-WH
- 4959SN

V-Plex Glassbreak Detectors:

- 9500SN

VISTA interactive phone module

- 4286 Voice Module

Optional 24V Power Supply

- PS24 – 24V power supply – 3.4A

Long Range Radio:

- Long Range Radio 7720ULF-XX, 7835C, 7835CF, 7845C

Upgraded software:

- Upgraded Compass Downloader Windows compatible

Wireless Devices:

- 5804 – Wireless Key
- 5804BD – Bi-directional Key
- 5804BDV – Bi-directional with voice
- 5804Watch - Wireless Key and sports watch combined
- 5816 – Door/Window Transmitter
- 5819 – Shock Sensor
- 5827BD – Bi-directional Keypad
- 5849 – Glassbreak Detector
- 5890 – PIR

Commercial Wireless Devices:

- 5808LST - Wireless Smoke Detector
- 5809 - Wireless Heat Detector
- 5817CB - Wireless Commercial Transmitter
- 5869 - Hold up Transmitter
- 5881ENHC - Commercial Fire/Burg Receiver

Access Control:

- VistaKey V-Plex (addressable) Access Control
- VistaKey-SK Starter Kit
- VistaKey-EX Expansion Kit
- VGM Vista Gateway Module to PassPoint Access Control (Northern Computers)

CCTV

- VistaView-100-CCTV Switcher Module

Internet Access:

- Graphical user interface with internet capability
- Internet Remote Control-Networking Module
- Internet Alarm Communicator (7845i)

Commercial Fire/Burg/CCTV and Access Control Platform

165 Eileen Way, Syosset, NY 11791

Copyright ©2002 Pittway Corporation

ADEMCO is an ISO9001 Registered Company

ADEMCO
GROUP

ORDERING:

Part No.

VISTA-250FBP
V250FBP-24

Description

Commercial Fire and Partitioned Burglary Alarm Platform 12V Model
Commercial Fire and Partitioned Burglary Alarm Platform 24V Model