

# VISTA-128FBP/ V128FBP-24

## Commercial Fire and Partitioned Burglary Alarm Control Panel

Designed to integrate seamlessly with CCTV, access control, and ADEMCO's full range of fire and burglary components, the NEW VISTA-128FBP provides the ultimate protection of life and property. The UL listed Commercial Fire and Burglary Control Platform controls up to eight partitions, and supports up to 128 zones/points using hardwired, wireless and V-Plex addressable technologies. A diverse line of ADEMCO initiating devices, notification circuits, digital dialers,

keypads, RF receivers and relays are supported by extremely powerful control platform. The VISTA-128FBP has been designed to mount quickly and easily in an attack resistant cabinet, and is available in 12V and 24V models. A revolutionary new feature called Panel Linking allows multiple partitions, panels – even buildings to be armed, disarmed and have status checked from one location.



## FEATURES

- Eight hardwired zones standard, expandable to 120 V-Plex addressable points/zones or 128 wireless points/zones
- Can control eight separate areas independently (8 partitions)
- Supports Panel-Linking allows up to 8 systems or buildings to be controlled from one central location (using VA8200)
- Supports commercial UL wireless fire and burg
- Stores up to 512 events and can accommodate 150 user codes
- Supports addressable V-Plex access control points using VistaKey (1 to 8 doors)
- Supports up to 16 doors of access control using Vista Gateway Module (VGM)\*
- Supports CCTV applications with the new VistaView-100 CCTV Switcher Module
- Identifies the point or zone of a fire or alarm, using the new FSA-8/FSA-24 Fire System Annunciator
- Programmable to meet SIA false alarm prevention specifications. To meet UL approval for ANSI/SIA CP-01-2000 order part number VISTA-128SIA
- Two on-board notification (bell) circuits delivering 2.3 amp @ 12V or 3.4 amp @ 24V
- Automatic smoke detector sensitivity maintenance testing
- 4-wire smoke reset using on-board J2 output trigger
- Supports Dynamic Signaling for LRR
- Supports Remote Control-via the internet\*\*
- Supports Internet Alarm Reporting\*\*
- Supports the new Graphical User Interface Consoles
- Supports up to 250 access card holders using VistaKey
- Supports AlphaNumeric pager up to 8 different numbers using the VA8201

\* Connects to Northern Computers Passpoint Access Control Systems. Maximum 32 doors.

\*\* When used with AlarmNet-i

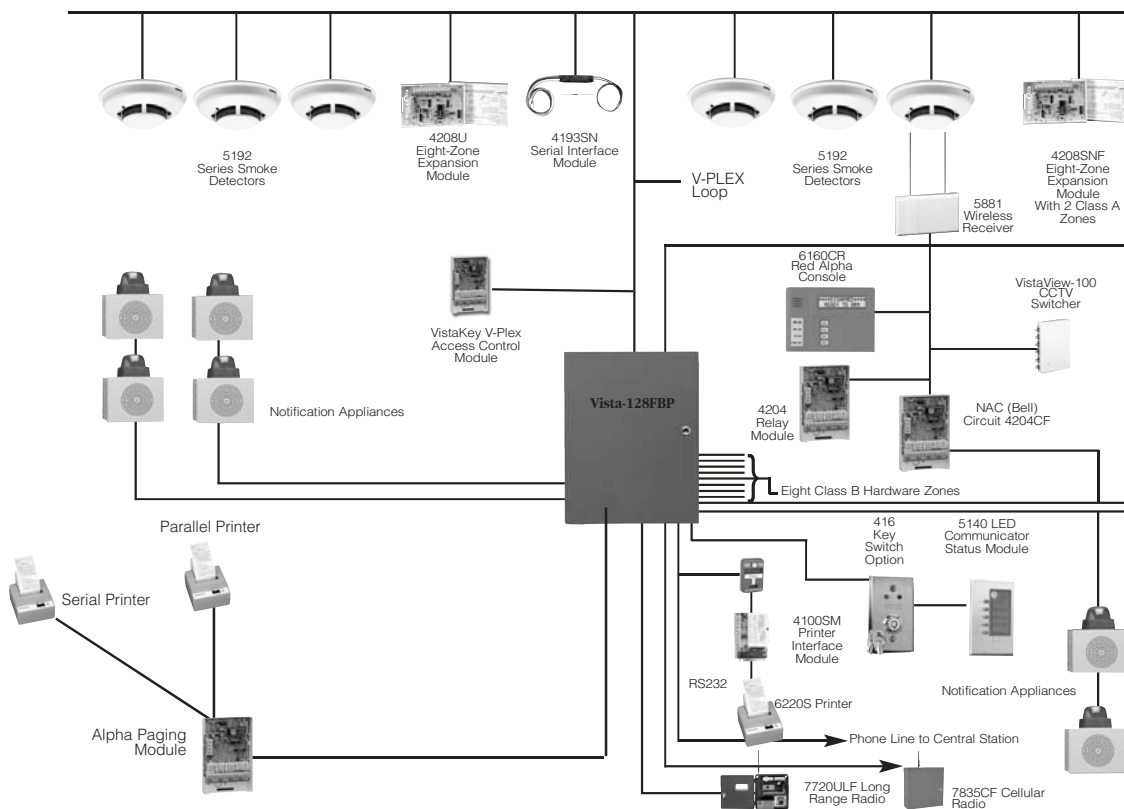
# VISTA-128FBP/V128FBP-24

## Commercial Fire and Partitioned Burglary Alarm Control Panel

### Additional Features

- Notification Appliance Circuits (two):
  - Programmable
  - Temporal code compliant
  - Individually silenceable
- Programmable on-board auxiliary relay
- SIA false alarm reduction features:
  - Exit error logic
  - Exit delay reset
  - Cross zoning
  - Call waiting defeat
  - Recent close report
- Supports commercial hardwired, addressable V-Plex polling loop and wireless zones
- Hardwired zones
  - Provides eight style B hardwired zones
  - EOLR supervised for Fire and UL burglary installations
  - Supports N.O or N.C. sensors
  - Individually assignable to any eight partition
  - Up to 32 two-wire smoke detectors each on zone one and two (64 total)
  - Up to 50 two-wire glass break detectors on zone eight
- Patented addressable V-Plex polling loop technology

- Supports 120 two-wire zones points
- Global polling technology for faster processing
- Increased current draw capacity (128mA)
- Supervised by panel
- Individually assignable to partitions, notification circuit (bell) output or aux relay
- 4,000 ft capability without the use of shielded cable
- Extender/Isolation bus module
- Two-wire smoke detector zone/group expansion module adds two or four zones
- Eight zone – Class A and B extender module
- Eight zone – Class B extender module
- One zone supervised contact monitor module
- UL Listed wireless expansion
  - Supports up to 128 wireless zones/points using 5881ENHC receiver
  - Supervised by control for check-in signals
  - Tamper protection for transmitters
  - Individually assignable up to eight partitions
- Supports UL864/NFPA approved wireless smoke detectors
- Access Control integration
  - Full integration with PassPoint Access Control System
  - Complete Gateway interface of Vista and access functions
- Up to 8 doors using VistaKey V-Plex Access Control
- Event reporting
- Local printer of access or VISTA related event
- Scheduled uploading of events to central station
- Stored events for one call retrieval
- Communication
  - Phone mapping by zone response type
  - Supports VIP interactive phone voice module
  - Panel operation during download
  - Uploading equipment list to central station
  - Communication to PassPoint via Vista Gateway Module
- CCTV integration
  - Supports VistaView-100 ECP based CCTV switchers



## Applications

The VISTA-128FBP control is well suited for a variety of applications as an integrated fire and burglary control. A diverse line of ADEMCO initiating devices supports this extremely powerful control. Some of the applications supported are: medical and professional buildings, churches or synagogues, office buildings, schools, strip malls, larger residences and factory or warehouse environments.

## Installation

The VISTA-128FBP alarm system has been designed to mount both quickly and easily. It meets all applicable requirements for UL commercial fire and burglary installations.

## Specifications Electrical

- Primary power: 18VAC @ 72VA ADEMCO No. 1451
- Control panel quiescent current draw: 350mA
- Backup battery:
  - 12VDC, 12AH min to 34.4AH max
  - Lead acid battery (gel type)

- Alarm power: 12VDC, 1.7A max for each notification (bell) circuit output Total 2.3amps @ 12V
- Aux. standby pwr: 12VDC, 1A max
- Total power: 2.3A at 12VDC, 3.4A at 24VDC from all sources
- Standby time: 24 hours with 1A standby load using 34.4AH battery
- Fusing: Battery input, aux. and notification (bell) circuit outputs are protected using PTC circuit protectors. All outputs are power limited.
- Optional 24-volt power supply, PS 24 Supplies two 24 VFW, 1.7A full wave rectified, unfiltered outputs Main Dialer:
- Line seize: Double Pole
- Ringer equiv.: 0.7B
- Formats: ADEMCO Low Speed, ADEMCO 4+2 Express, ADEMCO High Speed, ADEMCO Contact ID, Sescoa and Radionics
- Dual phone line capability (using 5140DLM module)

## Cabinet dimensions

- 18"H X 14.5"W X 4.3"D

## Environmental

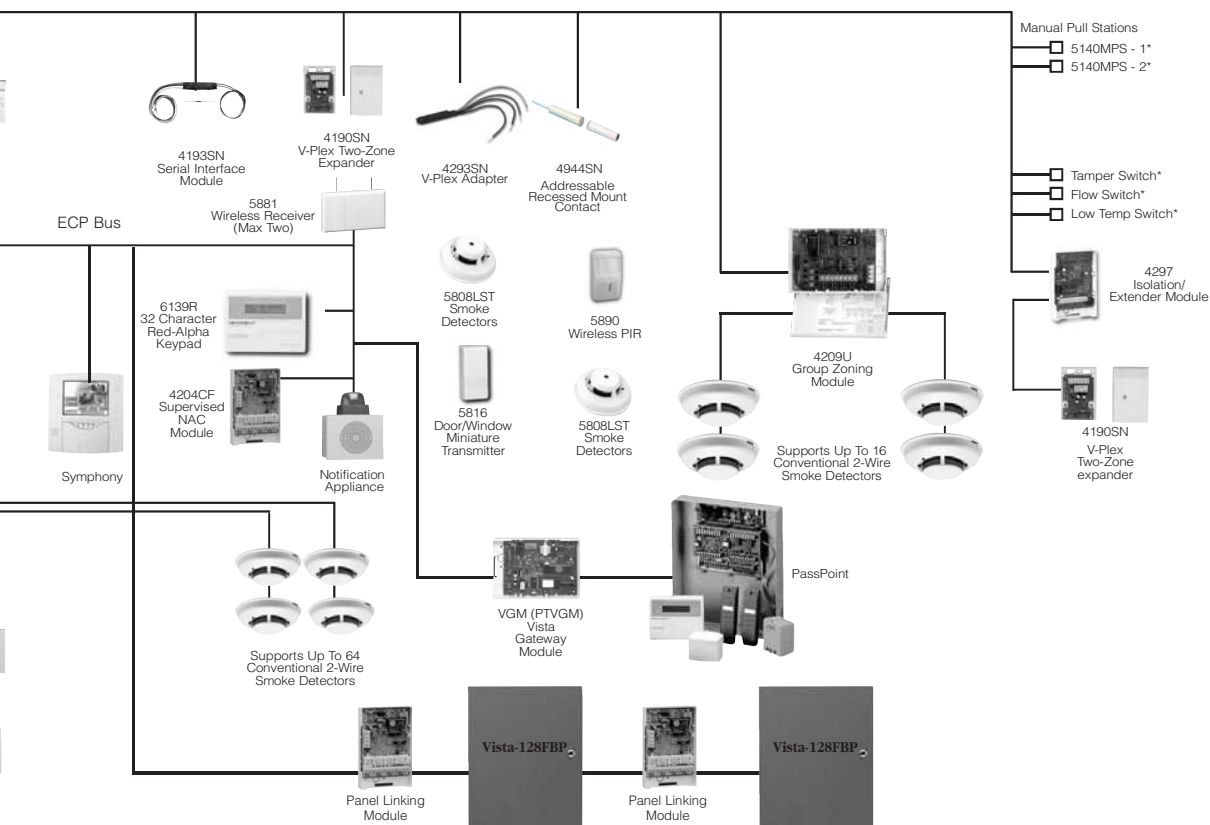
- Storage temp: -10°C to 70°C
- Operating temp: 0°C to 50°C
- Humidity: 85% RH
- EMI: Meets or exceeds the following requirements:
  - FCC Part 15, Class B Device
  - FCC Part 68
  - IEC EMC Directive

## Agency Listings Burglary

- UL609 Grade A Local Mercantile Premises and Mercantile Safe and Vault
- UL611/1610 Grades A, AA, Central Station
- UL365 Grades A, AA Police Connect

## Fire

- UL864/NFPA72 Local, Central Station and Remote Station
- Factory Mutual
- California State Fire Marshal
- MEA
- UL985



# VISTA-128FBP/V128FBP-24

## Commercial Fire and Partitioned Burglary Alarm Control Panel

### Additional Features

- Notification Appliance Circuits (two):
  - Global polling technology for faster processing
  - Increased current draw capacity (128mA)
  - Individually assignable to partitions, notification circuit (bell) output or aux relay
  - 4,000 ft capability without the use of shielded cable
  - Extender/Isolation bus module
  - Two-wire smoke detector zone/group expansion module adds two or four zones
  - Eight zone - Class A and B
  - Eight zone - Class B extender module
  - One zone supervised contact monitor module
- UL Listed wireless expansion
  - Supports up to 128 wireless zones/points using 5881ENHC receiver
  - Supervised by control for check-in signals
  - Tamper protection for transmitters
  - Individually assignable up to eight partitions
- Patented addressable V-Plex polling loop technology
  - Supports 120 two-wire zones
  - Global polling technology for faster processing
  - Increased current draw capacity (128mA)
  - Individually assignable to partitions, notification circuit (bell) output or aux relay
  - 4,000 ft capability without the use of shielded cable
  - Extender/Isolation bus module
  - Two-wire smoke detector zone/group expansion module adds two or four zones
  - Eight zone - Class A and B
  - Eight zone - Class B extender module
  - One zone supervised contact monitor module
  - UL Listed wireless expansion
  - Supports up to 128 wireless zones/points using 5881ENHC receiver
  - Supervised by control for check-in signals
  - Tamper protection for transmitters
  - Individually assignable up to eight partitions

- Supports UL964/NFPA approved wireless smoke detectors
- Access Control integration
  - Full integration with PassPoint Access Control System
  - Complete Gateway interface of Vista and access functions
- Up to 8 doors using VistaKey V-Plex Access Control
- Event reporting
- Local printer of access or VISTA related event
- Scheduled uploading of events to central station
- Stored events for one call retrieval
- Communication
  - Phone mapping by zone response type
  - Supports VIP interactive phone voice module
  - Panel operation during download
  - Uploading equipment list to central station
  - Communication to PassPoint via Vista Gateway Module
- CCTV integration
  - Supports VistaView-100 ECP based CCTV switchers

**Applications**  
 The VISTA-128FBP control is well suited for a variety of applications as an integrated fire and burglary control. A diverse line of ADEMCO initiating devices supports this extremely powerful control. Some of the applications supported are: medical and professional buildings, churches or synagogues, office buildings, schools, strip malls, larger residences and factory or warehouse environments.

**Installation**  
 The VISTA-128FBP alarm system has been designed to mount both quickly and easily. It meets all applicable requirements for UL commercial fire and burglary installations.

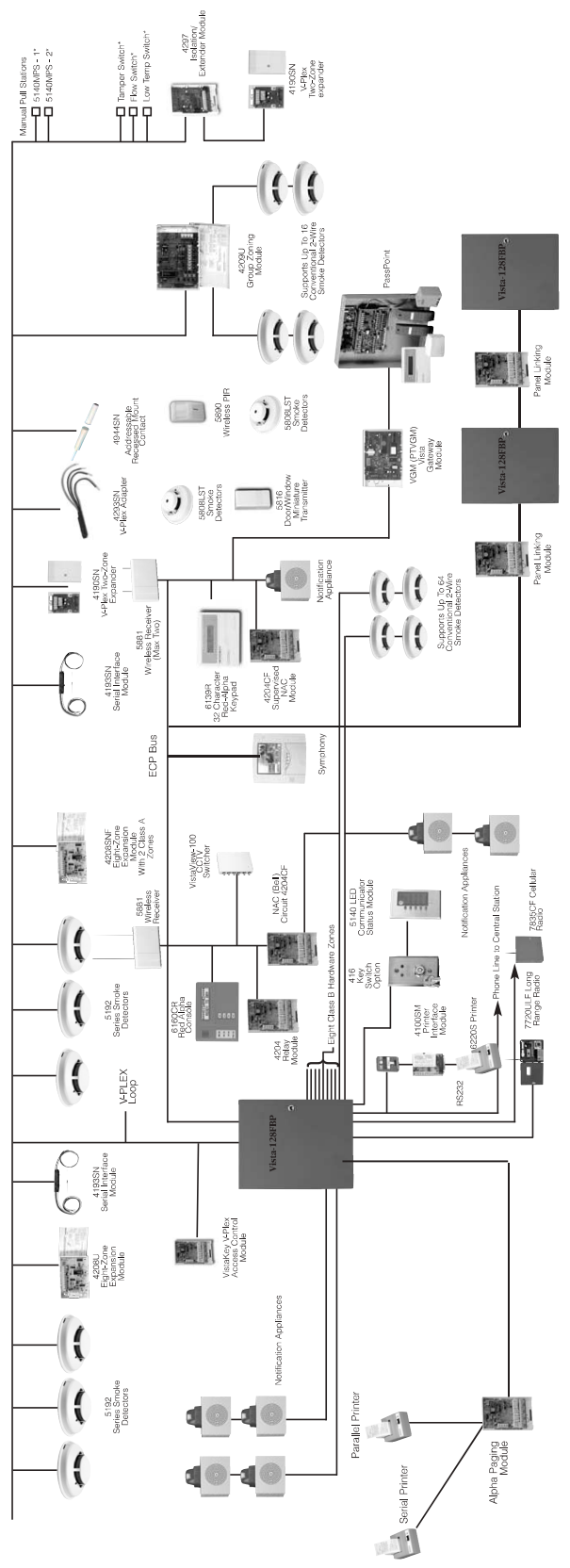
**Specifications Electrical**

- Primary power: 18VAC @ 72VA ADEMCO No. 1451
- Control panel quiescent current draw: 350mA
- Backup battery:
  - 12VDC, 12AH min to 34.4AH max
  - Lead acid battery (gel type)

- Alarm power: 12VDC, 1.7A max for each notification (bell) circuit output Total 2.3amps @ 12V max
- Aux. standby pwr: 12VDC, 1A max at 24VDC from all sources
- Standby time: 24 hours with 1A standby load using 34.4AH battery
- Fusing: Battery input, aux. and notification (bell) circuit outputs are protected using PTC circuit protectors. All outputs are power limited.
- Optional 24-volt power supply, PS 24 Supplies two 24 VFW, 1.7A full wave rectified, unfiltered outputs/Main Dialer:
- Line seize: Double Pole
- Ringer equiv.: 0.7B
- Formats: ADEMCO Low Speed, ADEMCO 4+2 Express, ADEMCO High Speed, ADEMCO Contact ID, Sescosa and Radionics
- Dual phone line capability (using 5140DLM module)

- Cabinet dimensions**
- 18"H X 14.5"W X 4.3"D
- Environmental**
- Storage temp: -10°C to 70°C
  - Operating temp: 0°C to 50°C
  - Humidity: 85% RH
  - EMI: Meets or exceeds the following requirements:
    - FCC Part 15, Class B Device
    - FCC Part 68
    - IEC EMC Directive

- Agency Listings Burglary**
- UL609 Grade A Local Mercantile Premises and Mercantile Safe and Vault
  - UL611/1610 Grades A, AA, Central Station
  - UL365 Grades A, AA Police Connect
- Fire**
- UL864/NFPA72 Local, Central Station and Remote Station
  - Factory Mutual
  - California State Fire Marshal
  - MEA
  - UL985



# VISTA-128FBP/V128FBP-24

## Commercial Fire and Partitioned Burglary Alarm Control Panel

### SPECIFICATIONS

#### Auxiliary Devices

- 6160CR – Red Alpha Keypad
- 6139R – Red Alpha Keypad/Annunciator
- FSA-8 & FSA-24 annunciator modules
- 4204 – Relay Module, four form C contacts
- 4204CF – Two supervised output circuits
- 5881 Series – RF receiver supporting 5800 wireless detectors
- 6220S – System printer used with 4100SM serial module

#### Two-wire smoke detectors conventional

- 2100 Series Photoelectric
- 2400 Series Photoelectric
- 1100 Series Ionization

#### Four-wire smoke detectors conventional

- 2112/24 Series Photoelectric
- 1412 Series Ionization

#### Horn/Strobes

- System Sensor Notification Appliances

#### Manual Pull Stations

- 5140MPS-1
- 5140MPS-2

#### V-Plex (addressable) Devices

- 4208U Loop Expansion Module – eight zones
- 4101SN Single Relay/Zone Module
- 4208SNF Class A/B Expander Module
- 4209U Group Zoning Module – two/four zones

- 4190SN Remote Point Module – two zones
- 4193SN Two Zone Serial Interface Module
- 4293SN One Zone Serial Interface Module
- 4297 Isolation/Extender Module

#### V-Plex (addressable) Smoke Detectors:

- 5192SD • 4192SD • 4192CP
- 5192SDT • 4192SDT • 4192CPM
- 4192SDTM

#### V-Plex Passive Infrared Detectors

- 998MX
- 4275EX-SN
- 4278EX-SN

#### V-Plex (addressable) Contacts

- 4939SN-WH
- 4944SN-WH
- 4959SN

#### V-Plex Glassbreak Detectors:

- 9500SN

#### VISTA interactive phone module

- 4286 Voice Module

#### Optional 24V Power Supply

- PS24 – 24V power supply – 3.4A Long Range Radio:
- Long Range Radio 7720ULF-XX, 7835C, 7835CF, 7845C

#### Upgraded software

- Upgraded Compass Downloader Windows compatible

#### Wireless Devices

- 5804BDV – Bi-directional with voice
- 5804BD – Bi-directional Key
- 5804Watch – Wireless Key &

sports watch combined

- 5816 – Door/Window Transmitter
- 5804 – Wireless key
- 5827BD – Bi-directional Keypad
- 5890 – PIR
- 5849 – Glassbreak Detector
- 5819 – Shock Sensor

#### Commercial Wireless Devices

- 5808LST – Wireless Smoke Detector
- 5809 – Wireless Heat Detector
- 5817CB – Wireless Commercial Transmitter
- 5869 – Hold-Up Transmitter
- 5881ENHC – Commercial Fire/Burg Receiver

#### Access Control

- VistaKey V-Plex (addressable) Access Control
- VistaKey-SK Starter Kit
- VistaKey-EX Expansion Kit
- VGM Vista Gateway Module to PassPoint Access Control (Northern Computers)

#### CCTV

– VistaView-100 CCTV Switcher or Module

#### Internet Access

- Graphical user interface with internet capability
- Internet Remote Control-Networking Module
- Internet Alarm Communicator (7845i)

#### Paging

- VA8201 AlphaNumeric Pager

## ORDERING

<b>VISTA-128FBP</b>	Commercial Fire and Partitioned Burglary Alarm Control Panel 12V Model
<b>V128FBP-24</b>	Commercial Fire and Partitioned Burglary Alarm Control Panel 24V Model

#### Honeywell Security & Custom Electronics

165 Eileen Way, Syosset, NY 11791  
www.honeywell.com/security