

VISTA-128BP

Partitioned Commercial Burglary Alarm Control Panel



The new VISTA-128BP is an eight partition, 128 zone UL commercial burglary control panel that meets the demanding requirements of today's commercial installations while simplifying end-user operation. A revolutionary new feature called Panel Linking allows multiple partitions, panels—even buildings—to be armed, disarmed and have status checked all from one location. Up to eight VISTA-128BP panels can be linked together, and the control can be integrated with ADEMCO's PassPoint system (via the VISTA Gateway Module) to provide a fully integrated security and access control system. The VISTAKey Access Control system and the VISTAView-100 CCTV Switcher can also be seamlessly integrated with this powerful commercial platform.

FEATURES

- Provides nine style-B hardwired zones
- Supports up to 119 additional zones using a built-in polling (multiplex) loop interface
- Supports up to 128 wireless zones using 5881 type RF receiver (fewer if using hardwired and/or polling loop zones)
- Provides one power-limited bell circuit delivering 1.7Amp (max) at 12Vdc.
- Provides the ability to control eight separate partitions independently, each functioning as if it had its own separate control
- Accommodates 150 user codes with seven authority levels
- Accommodates 32 keypad macro commands per system
- Keeps a log of up to 512 events
- VISTAView-100 CCTV support
- Supports up to 16 two-wire smoke detectors on zone 1
- Supports up to 50 latching-type glassbreak detectors on zone 8
- Zone 7 may be used for keyswitch arming/disarming
- Integrates with PassPoint access control systems to provide increased users, event log, and scheduling (up to 32 doors)
- Supports V-Plex addressable VISTAKey access control (up to eight doors and 250 cards)
- Easily programmed and maintained by the newly upgraded Compass Windows-based downloader
- Supports up to 96 programmable relays
- Supports the ADEMCO 4286 VIP Module
- Programmable to meet SIA false alarm prevention specifications. To meet UL approval for ANSI/SIA CP-01-2000 order part number VISTA-128SIA
- Panel Linking up to eight panels
- Two-Way RS232 (facility automation software support) optional
- Supports eight numeric pager numbers
- Supports touch screen Advanced User Interface (AUI) (Future)
- Smoke Detector Reset at keypad
- Quick Exit
- Group Bypass
- Arm Faulted
- Event Arming
- Scheduled check-in
- Arm Stay by group

VISTA-128BP

Partitioned Commercial Burglary Alarm Control Panel

SPECIFICATIONS

Basic Hardwired Zones

Provides nine style-B hardwired zones with the following characteristics:

- EOLR supervision (optional for zones 2-8) supporting N.O. or N.C. sensors (EOLR supervision required for fire and UL burglary installations)
- Individually assignable to one of 8 partitions
- Up to 16 two-wire smoke detectors on zone 1
- Four-wire smoke or heat detectors on zones 1-8 (power to four-wire smoke detectors must be supervised with an EOL device)
- Up to 50 two-wire latching glassbreak detectors on zone 8

Polling Loop Expansion

Supports up to 119 additional zones using a built-in polling (multiplex) loop interface. Current draw can total up to 128mA. Polling loop zones have the following characteristics:

- Must use RPM (Remote Point Module) devices
- Supervised by control panel
- Individually assignable to one of eight partitions

Wireless Expansion

Supports up to 128 wireless zones using 5881RF Receiver (fewer if using hardwire and/or polling loop zones). Wireless zones have the following characteristics:

- Supervised by control panel for check-in signals (except certain nonsupervised transmitters)
- Tamper protection for supervised transmitters
- Individually assignable to one of eight partitions

Scheduling

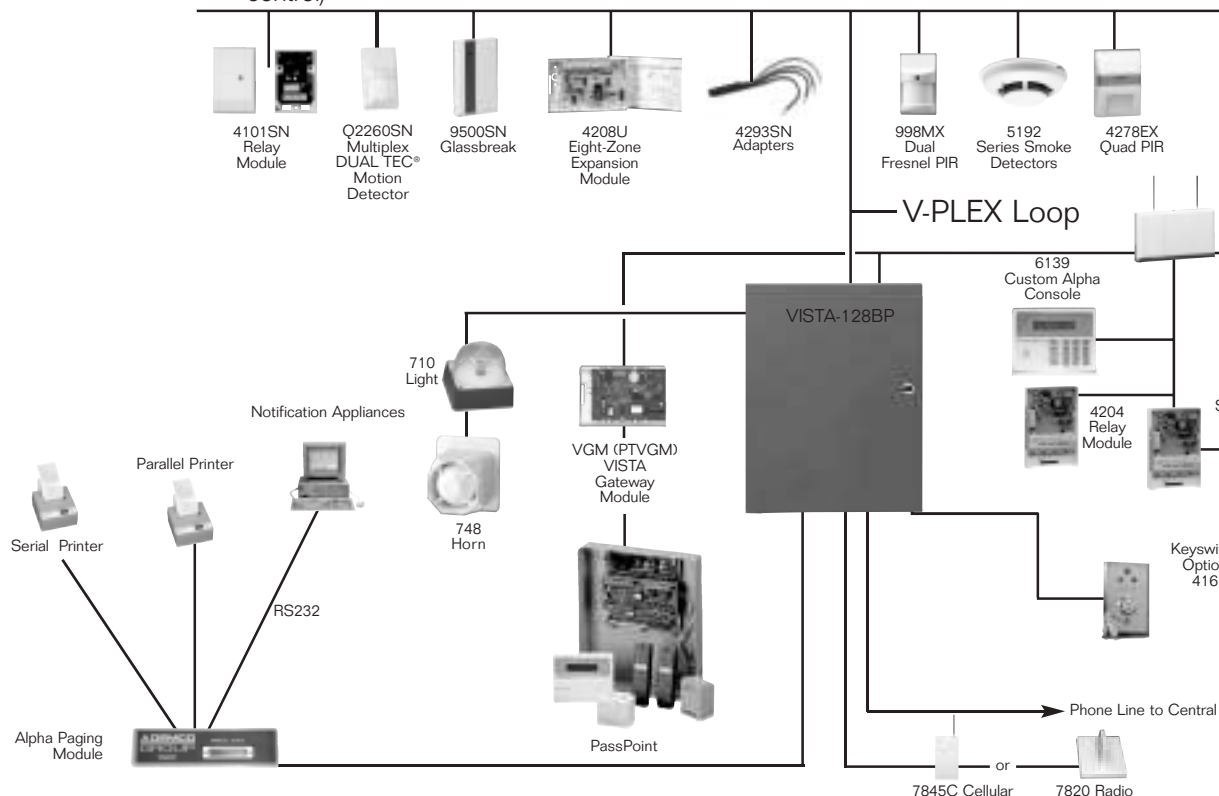
Provides the following scheduling capabilities:

- Open/close schedules (for control of arming/disarming and reporting)
- Holiday schedules (allows different time windows for open/close schedules)
- Timed events (for activation of relays, auto-bypassing and unbypassing, auto-arming and disarming, etc.)
- Access schedules (for limiting system access to users by time)
- End user output programming mode (provides 20 timers for relay control)

Eight Partitions

Provides the ability to control eight separate areas independently, each functioning as if it had its own separate control. Partitioning features include:

- A Common Lobby partition (1-8), which can be programmed to arm automatically when the last partition that shares the common lobby is armed, and to disarm when the first partition that shares the common lobby is disarmed
- A Master partition (9), used strictly to assign keypads for the purpose of viewing the status of all eight partitions at the same time (master keypads)
- All zones assignable to one of eight partitions
- Keypads assignable to one of eight partitions or to Master partition 9 to view system status
- Ability to assign relays to one or all eight partitions
- Ability to display fire and/or burglary and panic and/or trouble conditions at all other partitions' keypads (selectable option)



- Certain system options selectable for each partition, such as entry/exit delay and subscriber account number

Panel Linking

Panel Linking allows multiple control panels to be networked together and controlled from any keypad in the system:

- Control multiple zones, partitions, buildings from a central location
- Check status, arm and disarm any partition from any keypad in the system (based on user's authority level)
- Users can have a different authority level in each partition and access to different partitions in each panel
- Global Arming - users can arm and disarm all the partitions in all the panels they have access to, with one set of keystrokes

Applications

The VISTA-128BP control is well suited for a variety of applications as a burglary control and is supported by a diverse line of ADEMCO initiating devices. Applications include medical and professional buildings, supermarkets, churches or synagogues, office buildings, schools, universities, strip malls, larger residences and factory or warehouse environments.

Installation

The VISTA-128BP alarm system has been designed to mount both quickly and easily. It meets all applicable requirements for UL-Commercial Burglary installations, use the VISTA-ULKT kit when an attack resistant enclosure is required.

Agency Listings (all future)

Burglary:

- UL609 Grade A Local Mercantile Premises and Mercantile Safe and Vault
- UL611/UL1610 Grades A, AA Central Station
- UL365 Grades A, AA Police Connect
- UL985 Household Fire
- UL1023 Household Burglar Alarm
- California State Fire Marshall (CSFM)

Electrical:

- Voltage Input: From ADEMCO No. 1361 Plug-In Transformer (use 1361CN in Canada) or 4300 transformer (for X-10 installations) rated 16.5VAC, 40 VA
- Alarm Sounder Output: 10VDC-13.8VDC, 1.7 amps max., (UL1023, UL609 installations); 750mA less aux. current draw (UL985 installations)

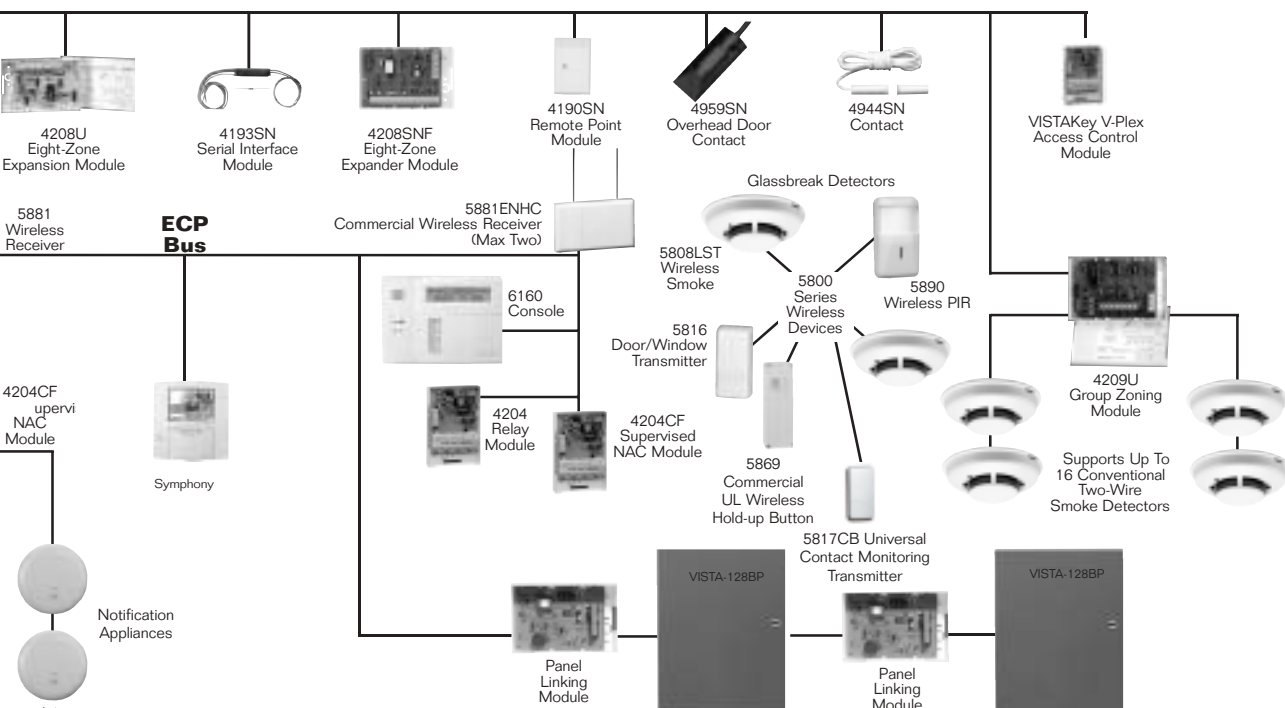
- Auxiliary Power Output: 9.6VDC-13.8VDC, 750mA max. For UL installations, the accessories connected to the output must be UL Listed, and rated to operate in the above voltage range
- Backup Battery: 12VDC, 4AH or 7AH gel cell. YUASA NP4-12 (12V, 4AH) or NP7-12 (12V, 7AH) recommended
- Standby Time: 4 hours min. with 750 mA aux. load using 7 AH battery
- Circuit Protectors: PTC circuit breakers are used on battery input to protect against reverse battery connections and on alarm sounder output to protect against wiring faults (shorts). A solid state circuit breaker is used on auxiliary power output to protect against wiring faults (shorts)

Main Dialer

- Formats Supported: ADEMCO High Speed, ADEMCO 4 + 2 Express, ADEMCO Low Speed, ADEMCO Contact ID, SESCOA and Radionics Low Speed
- Line Seize: Double Pole
- Ringer Equivalence: 0.7B

Cabinet dimensions:

- 12-1/2" W X 14 1/2" H X 3" D



VISTA-128BP

Partitioned Commercial Burglary Alarm Control Panel

SPECIFICATIONS

Auxiliary Devices

- 4204 – Relay Module, four form C contacts
- 4204CF – Two supervised output circuits
- 5881 Series – RF Receiver supporting 5800 wireless detectors
- 6160/6139 – Alpha Keypad/Annunciator
- 6220S – System Printer used with 4100SM Serial Module
- VA8200 – (PLM) Panel Linking Module
- VA8201 – (APM) Alpha Paging Module

Two-wire Smoke Detectors

Conventional

- System Sensor smoke detectors

Horn/Strobes

- System Sensor Notification Appliances

Manual Pull Stations

- 5140MPS-1
- 5140MPS-2

V-Plex (addressable) Devices

- 4101SN Single Relay/Zone Module
- 4190SN Remote Point Module – two zones
- 4193SN Two Zone Serial Interface Module
- 4208U Loop Expansion Module – eight zones
- 4208SNF Class A/B Expander Module

- 4209U Group Zoning Module – two/four zones
- 4293SN One Zone Serial Interface Module
- 4297 Isolation/Extender Module

V-Plex (addressable) Smoke

Detectors:

- 5192SD
- 5192SDT

Passive Infrared Detectors:

- 998MX
- 4275EX-SN
- 4278EX-SN
- QUEST2260SN

V-Plex (addressable) Contacts

- 4939SN-WH
- 4944SN-WH
- 4959SN, 9500SN

Glassbreak Detectors:

- 9500SN

VISTA Interactive Phone Module

- 4286 Voice Module

Long Range Radio:

- Long Range Radio 7720ULF-XX, 7835CZ, 7845C

Upgraded Software

- Upgraded Compass Downloader Windows compatible

Wireless Devices:

- 5804 – Wireless Key
- 5804BD – Bi-Directional Key
- 5804BDV – Bi-Directional with voice
- 5804Watch – Wireless Key

- and full featured sports watch
- 5816 – Door/Window Transmitter
- 5819 – Shock Sensor
- 5827BD – Bi-Directional Keypad
- 5849 – Glassbreak Detector
- 5890 – PIR

Access Control:

- VISTAKey V-Plex (addressable) Access Control
- VISTAKey-SK Starter Kit
- VISTAKey-EX Expansion Kit
- VGM VISTA Gateway Module to PassPoint Access Control (Northern Computers)

CCTV

- CCTV – VISTAView-100 CCTV Switcher Module

Commercial Wireless Devices

- 5808LST – Wireless Smoke Detector†
- 5809 – Wireless Heat Detector
- 5817CB – Commercial UL Burglary, Universal Contact Monitoring Transmitter*
- 5869 – Commercial UL Wireless Hold-up Button*
- 5881ENHC

*When used with 5881ENHC Receiver.

† Not listed for commercial use with the VISTA-250BP, residential listing only.

ORDERING

VISTA-128BP Partitioned Commercial Burglary Alarm Control Panel

Honeywell Security Group

ADEMCO
165 Eileen Way, Syosset, NY 11791
www.ademco.com

ADEMCO
A Honeywell Company