



CITY of CHICAGO * APPROVED



Quam

SYSTEM 5

25V/70.7V Pig-tail Lead

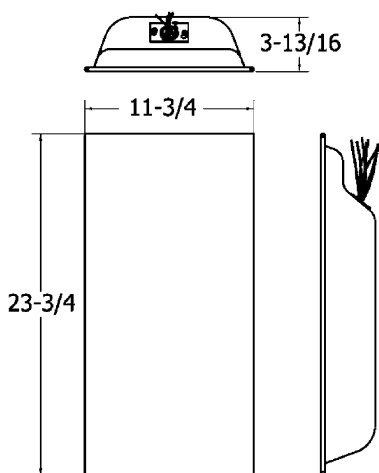
SYSTEM 5/25RS

25V Rotary Select Tap

SYSTEM 5/70RS

70.7V Rotary Select Tap

0104.5- LAY-IN CEILING MOUNT (TILE REPLACEMENT)



SYSTEM 5 SHOWN



01

LOUDSPEAKER ASSEMBLIES

GENERAL DESCRIPTION:

The Quam SYSTEM 5/xxx/x is a complete loudspeaker assembly, with 8" frame loudspeaker and perforated steel baffle.

Transformer options: 25V/70.7V pig-tail, 25V rotary select or 70.7V rotary select

Finish options: White or black baked epoxy hybrid

INTENDED USE:

All variants: Mounted parallel to floor plane in a 24" wide suspended ceiling tile grid; interior environment.

Program Material: Signal tones, voice and music
SYSTEM 5 ONLY - CITY of CHICAGO, Material and construction permits use where ceiling plenum is part of the air handling system.

SYSTEM COMPONENTS:

Loudspeaker:	8C5PAX
Transformer options:	All versions, 5 taps at -3 dB levels
25V/70.7V pig-tail	Order as SYSTEM 5 CITY of CHICAGO * APPROVED
25V rotary select	Order as SYSTEM 5/25RS
70.7V rotary select	Order as SYSTEM 5/70RS
Finish options, black only	Order as SYSTEM 5/xxx/B

AUDIO SPECIFICATIONS:

Speaker Size:	8" frame
Average Sensitivity:	96 dB SPL, 1W/ 1M
Power Rating:	12W RMS, EIA 426A Standard
Calculated Output:	103dB SPL, 5W/ 1M
Frequency response:	65 Hz - 17 kHz EIA 426A Standard
Nominal Coverage:	100° Included Angle, -6dB
Angle:	2 kHz, Half space
Audio Connection:	7" long, color-coded tinned wires, pre-cut

Recommended construction sequences, installation instructions and A&E Specifications are available in various formats on the Quam Architects' and Engineers' Resources CD or on the web at www.quamspeakers.com

RECOMMENDED ADDITIONAL QUAM COMPONENTS:

N/A

Quam-Nichols Company

234 East Marquette Road, Chicago, IL 60637
Phone (800) NEED NOW Fax (888) NEED NOW
(800) 633-3669 (888) 633-3669

E-Mail: neednow@qnc.com www.quamspeakers.com

