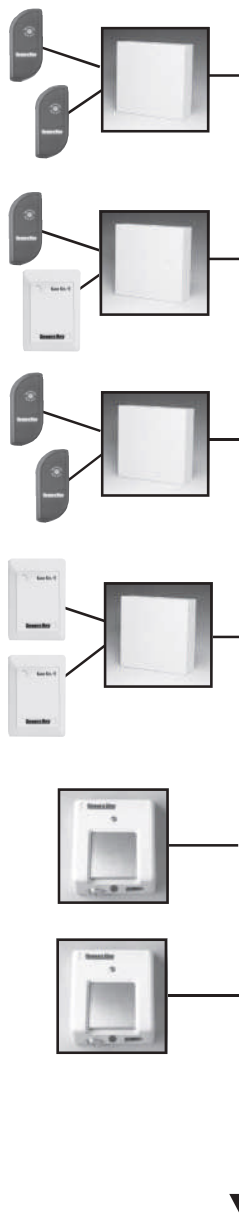


# SK-NET™

## Access Control System



SK-NET™ Access Control Software is an easy-to-use Windows®-based program for managing SK-ACP control panels and 28SA-PLUS access control units. Up to 200 doors in a location can be networked using a high-speed RS-485 twisted pair bus. Doors can be controlled and programmed from a central, non-dedicated computer.

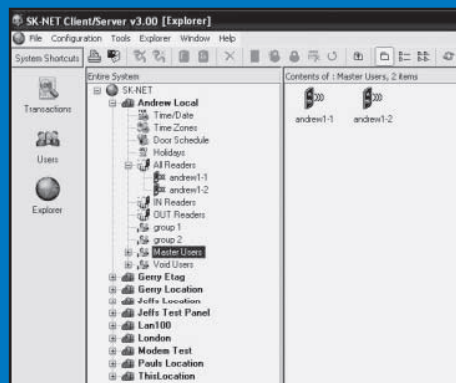
SK-NET™-MLD allows the creation of an unlimited number of locations and connection via dial-up modem or TCP/IP. Client/Server licenses are also available that permit software access from multiple workstations.

SK-NET™ is very intuitive for Windows® users. SK-NET™ Explorer uses a familiar format to configure the access control system. Windows® conventions such as drag-and-drop and right-click menus make SK-NET™ easy to learn.

Transaction history displays all card uses with time, date, location and user. The User Manager screen is used to assign access privileges and to monitor in/out status.

For software developers who wish to write a companion application, an API license is also available.

- Control up to 200 Doors on an RS-485, Twisted Pair Cable
- Compatible with Windows® 98/2000/XP/NT 4.0
- Optional Multi-Location Software with Dial-Up Modem and TCP/IP Capability
- Client/Server Licenses for Multiple Workstations
- Full Graphical Time Zone Display
- Transaction, User and Reader Reports with Filtering
- Real and Timed Antipassback





# SK-NET™ SOFTWARE SPECIFICATIONS

## SK-NET™ SOFTWARE FEATURES

All system configuration and card data is programmed and stored at the PC and downloaded to readers or panels.

## CARDHOLDER DATABASE FIELDS

First Name, MI, Last Name, Card Number, Access Group, Employee Number, Title, Department, Telephone Ext., User 1, User 2, User 3, Parking ID, Vehicle 1 and Vehicle 2. User Pictures can be added to User Detail.

## CARDHOLDER DATABASE REPORTS

Print, Display, Select Pages

## EVENT DATABASE FIELDS

Time, Date, Card Number, User Name, Transaction Type, Reader ID/ Location

## EVENT REPORTS

Select by Transaction Category, Cardholder, Date and Time, Time Range, Reader, Location

## ACCESS GROUPS

Unlimited groups used to assign Readers and Time Zones to Card User Groups

## ANTIPASSBACK

Real or Timed, Hard or Soft, operational with PC on or offline  
Includes optional daily real antipassback forgive

Time	Date	Card #	User Name - Access Group	Transaction Type	Reader ID/Location
1407	2/18/2004	75	-Master Users	Valid Access	5152982-2/ Jelfs Test Panel
1408	2/18/2004	75	-Master Users	Valid Access	5152982-2/ Jelfs Test Panel
1409	2/18/2004	75	-Master Users	Valid Access	5152982-2/ Jelfs Test Panel
1409	2/18/2004	75	-Master Users	Valid Access	5152982-2/ Jelfs Test Panel
1443	2/27/2004	1	Andrew Chess -Master Users	Reader Inactive	Parking Out/ Jelfs Location
1443	2/27/2004	1	Andrew Chess -Master Users	Reader Inactive	Parking Out/ Jelfs Location
1444	2/27/2004	1	Andrew Chess -Master Users	Reader Active via PC	Parking In/ Jelfs Location
1444	2/27/2004	1	Andrew Chess -Master Users	Reader Inactive	Parking Out/ Jelfs Location
1444	2/27/2004	1	Andrew Chess -Master Users	Reader Inactive	Parking Out/ Jelfs Location
1444	2/27/2004	1	Andrew Chess -Master Users	Reader Active via PC	Parking In/ Jelfs Location
1445	2/27/2004	1	Andrew Chess -Master Users	Opened Door via PC	Parking In/ Jelfs Location
1445	2/27/2004	1	Andrew Chess -Master Users	Valid Entry	Parking In/ Jelfs Location
1445	2/27/2004	1	Andrew Chess -Master Users	Opened Door via PC	Parking In/ Jelfs Location
1445	2/27/2004	1	Andrew Chess -Master Users	Reader Active via PC	Parking Out/ Jelfs Location
1447	2/27/2004	1	Andrew Chess -Master Users	Valid Exit	Parking Out/ Jelfs Location
1447	2/27/2004	1	Andrew Chess -Master Users	Valid Exit	Parking Out/ Jelfs Location
1448	2/27/2004	1	Andrew Chess -Master Users	Valid Exit	Parking Out/ Jelfs Location
1448	2/27/2004	1	Andrew Chess -Master Users	Valid Exit	Parking Out/ Jelfs Location
1448	2/27/2004	1	Andrew Chess -Master Users	Door Unlocked via Door Schedule	Parking Out/ Jelfs Location
1448	2/27/2004	1	Andrew Chess -Master Users	Reader Active via PC	Parking Out/ Jelfs Location
1449	2/27/2004	1	Andrew Chess -Master Users	Reader Active via PC	Parking Out/ Jelfs Location
1449	2/27/2004	1	Andrew Chess -Master Users	Valid Exit	Parking Out/ Jelfs Location

## SYSTEM ARCHITECTURE

### MULTI-READERSYSTEMS:

- Network is twisted-pair, shielded cable
- Total system cable length, 4000 feet (1219.2 m)
- PC connects to Network using RS-232/485 converter, Model NET-CONV-P, or it can connect to the network without the converter using the RS-232 port on any reader or panel
- PC also can connect to remote locations with multiple readers, via modem.
- See Diagram for System Configurations

### SINGLE READER SYSTEM:

- PC connects directly to reader or panel or via modem

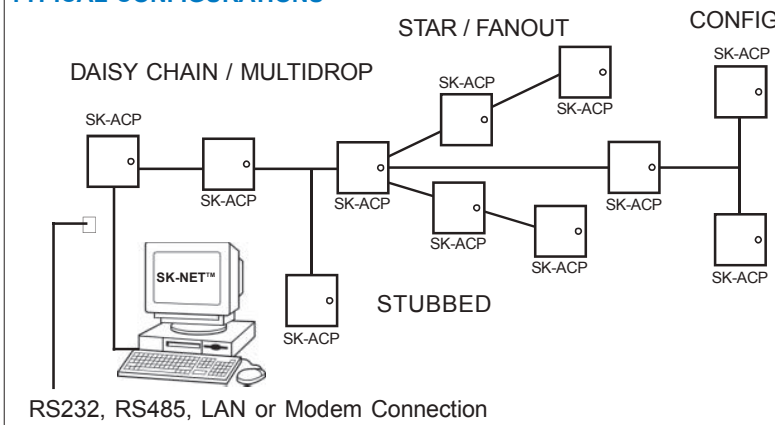
Software upgrades can be downloaded from [www.securakey.com](http://www.securakey.com)

MINIMUM REQUIREMENTS *			
OPERATING SYSTEM	PROCESSOR SPEED	RAM	AVAILABLE DISK SPACE
WINDOWS® NT 4.0 OR GREATER	200 MHz	128 MB	1 GB
WINDOWS® 2000	700 MHz	128 MB	1 GB
WINDOWS® XP	1 GHz	256 MB	1 GB
RECOMMENDED SYSTEM			
WINDOWS® XP	1.4 GHz	512 MB	10 GB
16 BIT Color Video Card			
* Larger systems may not run properly at the minimum requirements. Software can run on Windows® 98 & ME, but it is not recommended.			

## SK-NET VERSIONS AVAILABLE:

- **SK-NET-DM**  
Basic SK-NET with Disk & Manual
- **SK-NET-MLD**  
Multiple Locations, Dial-Up Modem and TCP/IP Communications
- **SK-NET-MLD-C/S\_**  
Multiple User Workstations, Multiple Locations, Dial-Up Modem and TCP/IP Communications (2, 5, 10, 15 user licenses available)

## TYPICAL CONFIGURATIONS



## WARRANTY (U.S. and Canadian)

"This product is warranted against defects in materials and workmanship for a period of 2 years from the date of purchase. Secura Key shall, at its option, either replace or repair this product, if returned to us freight prepaid within the warranty period. This warranty does not include freight, taxes, duties, or installation expenses. THE WARRANTY SET FORTH ABOVE IS EXCLUSIVE AND NO OTHER WARRANTY, WHETHER WRITTEN OR ORAL, IS EXPRESSED OR IMPLIED. SECURA KEY SPECIFICALLY DISCLAIMS ANY IMPLIED WARRANTIES OR MERCHANTABILITY AND FITNESS FOR A PARTICULAR PURPOSE. The remedies provided herein are the buyers' sole and exclusive remedies. In no event shall Secura Key be liable for direct, indirect, special, incidental or consequential damages (including loss of profits), whether based on contract, tort or any other legal theory." Contact Secura Key for Card/Tag and Export Warranty Policies.

## DISTRIBUTED BY:



20301 NORDHOFF STREET  
CHATSWORTH, CA 91311  
PHONE (818) 882-0020 • FAX (818) 882-7052  
TOLL FREE (800) 891-0020  
E-mail: [mail@securakey.com](mailto:mail@securakey.com)  
Web site: [www.securakey.com](http://www.securakey.com)