

Quam

QH16T

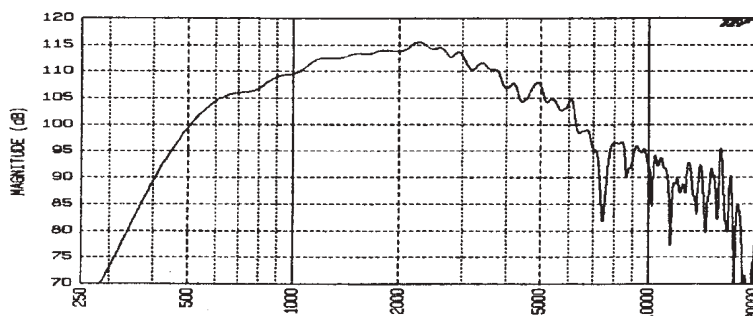
Paging Horn Loudspeaker



Features

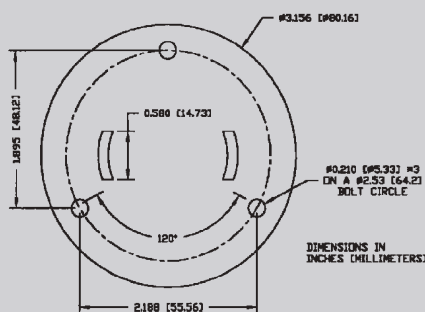
- High efficiency sixteen watt multi-purpose horn for paging, music, intercom & tone signaling
- Ideally suited for factories, loading docks, commercial buildings, sports facilities, service areas & bus terminals
- 3 slot mounting flange for universal mounting
- Aluminum construction for all weather use
- Universal 25/70 volt transformer
- Tap selector switch for multiple wattage adjustments
- In stock for immediate shipment

Quam Model QH16T is a double re-entrant horn type loudspeaker. The horn is a perfect choice for applications that require a highly efficient compression driver horn for paging and tone signaling applications. The horn delivers an extremely high degree of speech intelligibility in noisy indoor and outdoor environments. Typical applications include high ambient noise areas in factory work areas, loading docks, commercial buildings, sports facilities, service areas, playgrounds and bus terminals. An integral dual line transformer allows usage with either 25 or 70.7 volt distribution lines. A tap selector switch and screw terminals for speaker line connection are incorporated. The slotted tap selector switch permits incremental wattage adjustments for both 25 and 70.7 volt lines. The variable tap switch and the line termination screws have a protective cover that provides strain relief for the speaker cable. A three hole mounting flange ensures secure installation. The mounting flange includes slots for applications that require strap mounting. Both horizontal and vertical adjustments are made easily by a positive action one bolt and wing nut pivot assembly. The horn is constructed of environmentally resistant aluminum material.



MODEL	POWER RATING	SOUND LEVEL	DISPERSION	SIZE (inches)	POWER TAPS(watts)	FREQ. RESPONSE
QH16T	16watts*	121 dB	110 degrees	9 1/2 deep 8 1/4 diam	16,8,4,2@70.7V 16,8,4,2,1,.5,.25@25V	300 Hz to 15KHz

*Ratings per EIA_RS-426A test standard



Architects & Engineers Specifications

The loudspeakers shall be Quam model QH16T or approved equal. It shall utilize a compression driver. All loudspeakers of this type shall be double re-entrant with an exponentially flared round bell. Each unit of this type shall be of weatherproof construction utilizing aluminum material. A seven position switch shall allow choice of power taps. Available power taps shall be 16, 8, 4 and 2 watts at 70.7 volt line, 16, 8, 4, 2, 1, .5, .25 watts at 25 volt line. Wiring termination shall be screw type. Both the tap selection switch and the wiring terminals shall be protected from outside elements by a cover. Frequency response shall be 300 Hz to 15KHz. The QH16T shall be capable of producing 121 dB SPL at 4 feet on axis at 16 watts. Sound dispersion shall be 110 degrees. The mount shall allow for single bolt horizontal and vertical positioning. Three mounting holes and a slot in the bracket flange shall allow strap or bolt mounting. Overall depth of the loudspeaker shall be 9 3/8" inches, Bell diameter shall be 8 1/4" inches.



Quam-Nichols Company

234 East Marquette Road • Chicago, IL 60637
(773) 488-5800 • FAX (773) 488-6944

Member



TS-58C