

LDSR-series

Lowell Desktop Rack with Sloped-front



Description:

The LDSR-series rack measures 17"D at the base and features a 12° slope so equipment can be easily seen from a seated position. Sturdy design is 16-gauge certified US steel, welded with fixed front mounting rails tapped 10-32 and punched rear rails on .281 universal EIA spacing. Front rails are recessed .562" from frame providing approximately .75" for equipment clearance. This rack will not accept a front door so equipment with protruding knobs and patch panel connections is not a problem. Rack includes protective rubber feet to prevent scratching desks. Back is open for easy access to rear equipment controls. Base has two formed panel stiffeners mounted 2.5" from front and 2.5" from back, allowing open areas (1.75" in front, 4" in center, 1.5" in back) for cable entry. Finished in durable black wrinkle powder epoxy. Suitable for UPS shipping.



Features:

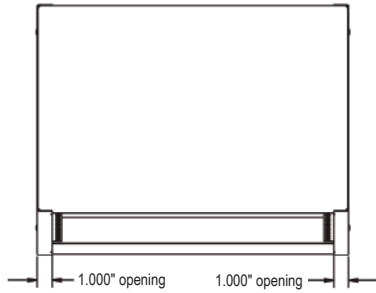
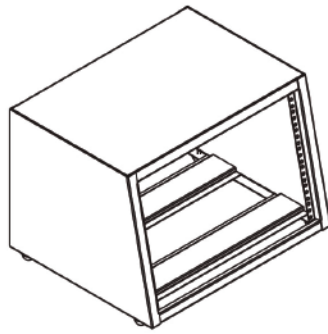
- Fixed Front Mounting Rails: One pair tapped 10-32
- Fixed Rear Mounting Rails: One pair punched .281
- Protective Rubber Feet
- Two bottom panels for partially open base

A&E Specifications:

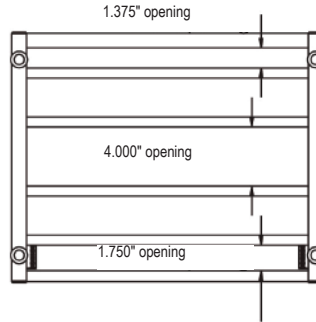
Rack for desktop use shall be Lowell Model _____. It shall have a 12-degree front slope and measure 21.125"W x 17"D (bottom) x _____"H. Welded assembly shall be 16-gauge steel with fixed front mounting rails tapped 10-32 and punched rear rails on .281 universal EIA spacing. It shall also include protective rubber feet. Finish shall be black powder epoxy.

Model No.	Formerly	Racking H in. (A)	Racking H RU (A)	Overall H in. (B)*	Overall W in.	Overall D (bottom) in.	Overall D (top) in.	Weight lbs.
LDSR-617	L40-10	10.625	6	12.844	21.125	17	14.375	24
LDSR-717	L40-12	12.375	7	14.625	21.125	17	14	25
LDSR-817	L40-14	14.125	8	16.266	21.125	17	13.671	27
LDSR-1017	L40-17	17.625	10	19.703	21.125	17	13	30
LDSR-1117	L40-19	19.375	11	21.406	21.125	17	12.578	31

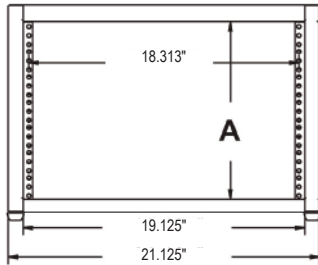
*includes protective feet.



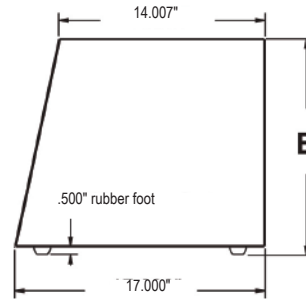
TOP VIEW



BOTTOM VIEW



FRONT / REAR
 Front has tapped rails 10-32
 Rear has punched rails .281



SIDE VIEW