

HMLCD19L L-Series LCD Monitor

www.honeywellvideo.com

19-INCH LCD COLOR MONITOR

Honeywell's HMLCD19L LCD monitor is designed specifically for the security industry to provide high resolution display of computer signals and/or composite video. The combination of robust features, good performance, and exceptional value comes together to deliver excellent video in a variety of applications. Because they consume less power, generate less heat, and last longer than convention CRT monitors, LCD monitors are more cost-effective over long term use.

This 19-inch monitor has a color LCD panel with a thin film transfer (TFT) active matrix. The monitors automatically adapt to the appropriate input resolution up to 1280 x 1024. The HMLCD19L provides three composite (2 x BNC and 1 x S-Video) inputs, 1 BNC looping output, and a VGA input to support the use of digital video recorders (DVRs) and PC applications. This multimode functionality—combined with a quick panel response time to minimize ghosting in motion video, and high brightness and contrast ratio—makes the HMLCD19L ideal for applications requiring a VGA display with composite video capabilities.

The HMLCD19L features a rugged desktop stand and VESA-compliant mounting holes to easily adapt to different wall and ceiling mounts. These monitors automatically detect and display the correct video format (NTSC or PAL) and are powered by an auto-ranging power supply. Adjustments of standard monitor display parameters are made using user-friendly on-screen menus and front panel controls.

Market Opportunities

With composite and VGA inputs, the HMLCD19L is the perfect choice to pair with any embedded or PC-based digital video recorder and is a direct replacement for both CRT and PC monitors. Because the HMLCD19L has a small form factor that efficiently maximizes the viewing area, it's perfect for use in confined viewing areas.

Features

- Resolution, SXGA 1280 x 1024
- Brightness, 300 cd/m²
- Contrast ratio, 500:1
- Fast response time, 8 ms
- Analog RGB (15-pin DB-type) input
- 2 BNC and 1 RCA composite video inputs
- 1 BNC looping video output
- Two built-in speakers
- Convenient front-panel controls
- Power failure function provides auto turn-on in case of power failure
- VESA DDC mounting compliant



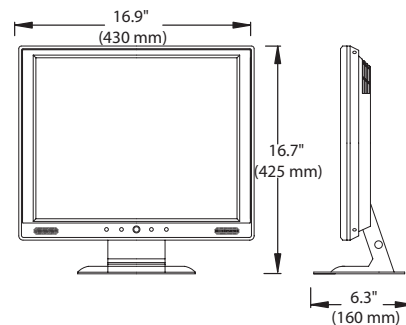
HMLCD19L L-Series LCD Monitor

www.honeywellvideo.com

SPECIFICATIONS

Video	
Video Standard	NTSC / PAL - auto select
Input Signal Video	Composite: 0.6~1 Vp-p @75 ohm Y: 1.0 Vp-p C: 0.3 Vp-p
Horizontal Frequency	PC: 31K~81 kHz Video: 15750 Hz NTSC (15625 Hz PAL)
Vertical Frequency	PC: 56~75 Hz Video: 60 Hz NTSC (50 Hz PAL)
Audio Speaker	2 x 2.0 W / 8 ohm
Resolution	SXGA 1280 x 1024
Pixel Type	Active Matrix TFT
Pixel Dimension	0.294 x 0.294
Display Colors	16.7 million colors
Brightness	300 cd/m2
Contrast Ratio	500:1
Response Time	8 ms
Display Ratio	4:3
Viewing Angle	L/R: 70/70° U/D: 75/60°
Electrical	
Input Voltage	100~240 VAC, 50/60 Hz
Operating Voltage	12 VDC from power supply (included)
Power Consumption	50 W (maximum); <5 W standby
Audio Power	2 x 2W
Audio Input Level	-8 dBm
Controls	
On Screen Display (OSD)	Auto Config, Brightness, Contrast, Color-Temp, Position, Image Quality, Menu
OSD Languages	English, French, Italian, Spanish, German, Traditional Chinese
Front Panel Controls	Auto/Enter, Power, Menu, Up, Down

Mechanical	
Dimensions (W x H x D)	16.9" x 16.7" x 6.3" (430 mm x 425 mm x 160 mm)
Weight	Unit: 11.8 lb (5.35 kg) Shipping: 16.0 lb (7.3 kg)
Construction	Housing: Hi-impact plastic Finish: Black matte
Connectors	Video Inputs: 2 x BNC, 1 x RCA, 1 x VGA (15 pin D-sub)
	Video out (looping): 1 x BNC
	Audio Inputs: 2 x S-Video (L+R, 1 set) 2 x RCA (L+R, 1 set) 1 x PC Audio, Ø 3.5 mm Jack
	Power Input: 5.5 x 2.1 mm barrel connector, center positive
Environmental	
Temperature	Operating: 5° to 104° F (5° to 40° C) Storage: 4° to 140°F (-20° to 60°C)
Relative Humidity	20% to 85%
Regulatory	
Emissions	FCC: Part 15, Class B CE: EN 55022 Class B
Immunity	CE: EN 50130-4 6100-4-3
Safety	UL/C-UL: UL60950-1 CE: TUV-GS EN60950-1 CCC: GB4943
Accessories	
HMLCDTM	Tilting wall mount, VESA standard
HMLCDCM	Ceiling mount, VESA standard
HMLCDARM	Articulating arm mount, VESA standard
HMLCDFM	Fixed wall mount, VESA standard



Ordering	
HMLCD19L	19" L-Series LCD monitor, NTSC/PAL, NA power cord
HMLCD19LX	19" L-Series LCD monitor, NTSC/PAL, UK and Continental Europe power cord

NOTE: Honeywell reserves the right, without notification, to make changes in product design or specifications.

Honeywell Security

Honeywell Video Systems
2700 Blankenbaker Pkwy, Suite 150
Louisville, KY 40299
1.800.796.CCTV
www.honeywell.com

L/LS19LCDD/D
November 2007
© 2007 Honeywell International Inc.

Honeywell