

HCU484

www.honeywellvideo.com

ULTRA WIDE DYNAMIC COLOR CAMERA

Honeywell's HCU484 is the ideal camera for environments with high contrast and changing light conditions. Using Digital Pixel System® (DPS) Capture Technology, images are converted from analog to a digital format within each pixel immediately after the image is captured. Even in high contrast lighting conditions, the HCU484 delivers higher quality images, significantly better dynamic range (120 dB max), and higher frame rates than conventional CCD cameras.

While conventional cameras record every pixel in a frame with the same exposure time, the HCU484 records each of the 388,800 pixels at its own optimum exposure time. This results in correct color rendering and capturing details in all applications including high contrast scenes with shadows and glare. The Digital Pixel System® Capture Technology delivers crisp, color-saturated high resolution images without the presence of blooming or smearing, in both moving and still pictures.

The HCU484 offers convenient remote control of the on-screen menus via compatible DVRs and keyboards with Diamond control protocol, facilitating setup and camera maintenance. Seven wide dynamic presets allow quick and easy setup of the camera for various applications such as ATM machines, loading docks, lobbies, and scenes with intense glare from spotlights or car headlights. The day/night mode combined with digital slow shutter offers excellent nighttime performance while maintaining the wide dynamic capabilities of the imager.

Market Opportunities

The HCU484 is a surveillance solution designed for object recognition that is required in locations where high contrast and variable light conditions exist. Setup is quick and easy and can be customized with on-screen displays and preset modes. This provides optimum performance for both indoor and outdoor applications including lobbies, atriums, vestibules, gated entrances, foyers, loading docks, and driveways.

Features

- 1/3" Ultra Wide Dynamic DPS imager
- 32-bit digital processing
- Greater than 480 TV lines of resolution
- RS485 remote control of on-screen display menus via Diamond protocol using compatible DVRs and keyboards
- Seven Wide Dynamic presets for easy setup and configuration of camera for wide variety of applications
- Dynamic range: 102 dB typical/120 dB max – 100 to 200 times greater than conventional CCD cameras
- Transient protection on inputs and outputs
- Temperature range: 14°F to 113°F (-10°C to 45°C)
- Higher frame rates – 50/60 fps progressive video capture for sharp image definition in all lighting conditions
- 0.4 lux @ F1.2 for true color representation in daytime, and black and white at night.
- 12 VDC/24 VAC with line lock
- DC and Manual Iris CS lens support



HCU484

HCU484

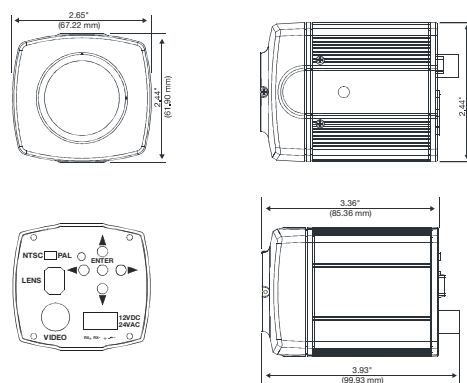
www.honeywellvideo.com

SPECIFICATIONS

Operational	
Video Standard	NTSC, PAL
Scanning System	525/60 lines (NTSC) 625/50 lines (PAL)
Image Sensor	1/3" WDR digital image device
Number of Pixels (H x V)	720 x 540
Minimum Illumination	0.4 lux @ F1.2
Horizontal Resolution	>480 TVL
Video Output	1 V p-p @ 75 Ohms
Sync System	12 VDC: Internal 24 VAC: Line lock
S/N Ratio	52 dB typical
Auto Gain Control	Auto (0 – 36 dB maximum)
ALC	Variable Iris control for DC Drive Lenses
Automatic Electronic Shutter	1/60 - 1/100,000 sec
Lens Iris Control	DC Drive
White Balance	AWB/ATW/ATW Xtn/Manual
Dynamic Range	102 dB typical/120 dB max.
Line Lock Phase Adjustment	Adjustable AC line lock
BLC	Variable depending on WDR Preset
OSD	Camera title setting/menu control
Remote Control	RS485 Diamond protocol*
Electrical	
Input Voltage	12 VDC/24 VAC
Input Range	11 - 16 VDC, 17 - 28 VAC
Surge Suppression	1.5 kW transient
Power Consumption	2.5 W
Mechanical	
Dimensions (W x H x D)	2.65 in. x 2.44 in. x 3.93 in. (67.22 mm x 61.90 mm x 99.93 mm)
Weight	1.1 lb (.5 kg) camera only
Construction	Housing: Aluminum Finish: Cool Gray Powder Coat
Camera Mount	1/4 – 20 UNC
Lens Mount	CS adjusting mounting ring
Connector	Video Output: BNC connector Lens: 4 Pin Connector Power Input: Removable screw terminal block
LED	Green LED indicates Power On

Environmental			
Temperature	Operating: 14°F to 113°F (-10°C to 45°C) Storage: -4°F to 140°F (-20°C to 60°C)		
Relative Humidity	20% to 80%, non-condensing		
Regulatory			
Emissions	FCC, CE (EN55013)		
Immunity	CE (EN50130-4)		
Safety	EU: 73/23/EEC LVD		
Accessories:			
Recommended Lens Options			
HLD25V6F12L	2.5 – 6 mm, F1.2, DC Auto Iris lens		
HLD28V8F95L	2.8 – 8 mm, F0.95, DC Auto Iris lens		
HLD27V13DNL	2.7 – 13.5 mm, F1.3, DC Auto Iris lens, IR corrected		
HLD5V50F13L	5.0 – 50 mm, F1.3, DC Auto Iris lens		
Housings and Mounts			
HBC5WT	Wall/ceiling mount bracket		
HHC12 Series	Housings with optional heater/blower and mounts		
Transformers			
HPT2420	24 VAC, 20 VA Class 2 plug-in with thermal cut-out		
HPT12DC500	12 VDC, 500 mA plug-in regulated 2.1 mm coaxial plug UL Listed/CSA Certified		
Power Supplies			
UL Listed	Fused	Smart Fused	Description
HPTV2404UL	HPTV2404	HPTV2404CB	4 A, 4 Output
HPTV2408UL	HPTV2408	HPTV2408CB	4 A, 8 Output
HPTV2416UL	HPTV2416	HPTV2416CB	8 A, 16 Output

*See <http://www.honeywellvideo.com/products/cameras/ca/84372.html> for a list of compatible DVRs and keyboards.



Ordering	
HCU484	1/3" High Resolution Ultra Wide Dynamic Camera, RS485, 480 TVL, 0.4 lux, 12 VDC/24 VAC, NTSC
HCU484X	1/3" High Resolution Ultra Wide Dynamic Camera, RS485, 480 TVL, 0.4 lux, 12 VDC/24 VAC, PAL

NOTE: Honeywell reserves the right, without notification, to make changes in product design or specifications.
Digital Pixel System (DPS) is a registered trademark of Pixim, Inc.

Honeywell Security

Honeywell Video Systems
2700 Blankenbaker Pkwy, Suite 150
Louisville, KY 40299
1.800.796.CCTV
www.honeywell.com

HV06108
L/HCU484DS/D
March 2007
© 2007 Honeywell International Inc.

