

Lowell

HEARD EVERYWHERE®

AP300 / PC312

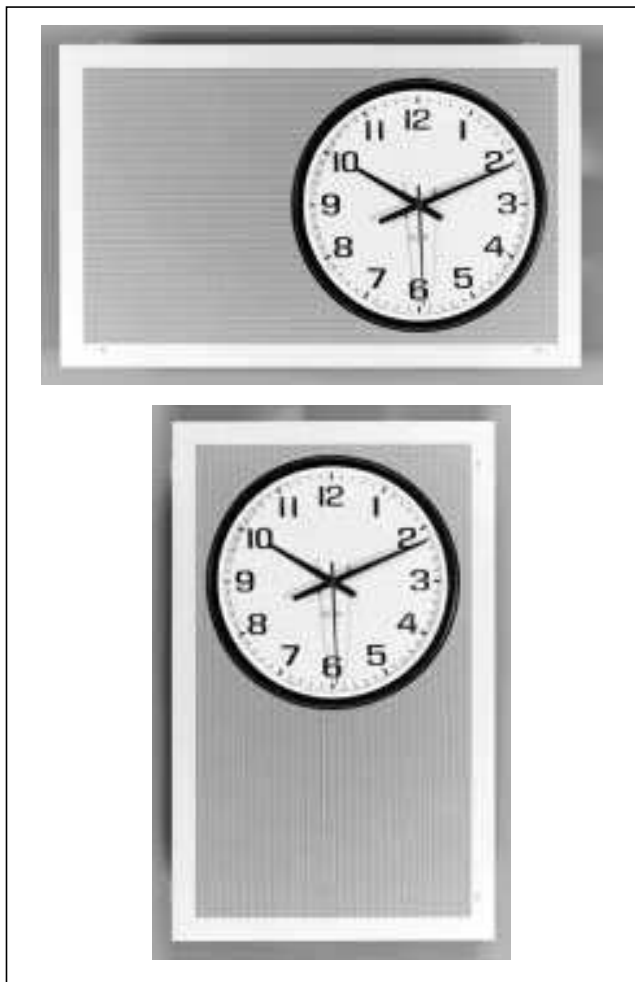
AP300 8" Speaker and 12" Clock Grille with PC312 Recessed Backbox

Description

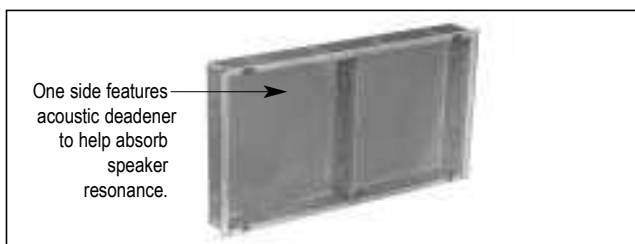
Lowell combination speaker-clock grille Model AP300 and recessed backbox Model PC312 provide an architecturally pleasing solution for recessed horizontal or vertical installation of a paging speaker and clock in school classrooms, sports/recreation facilities, and medical or professional buildings of all kinds. Dual function speaker and clock mounting solution is a practical approach that affords reduced fixture and labor costs while providing a clean architectural appearance. Model AP300 grille features a universal clock mounting bracket for problem free installation of virtually any 12" analog clock (by others) and welded speaker mounting studs for installation of a standard 8" speaker driver (order separately). Lowell offers a wide selection of drivers with optional 70V or 25V transformer for distributed voice paging and music with clear intelligibility. Frequently ordered models for speaker-clock grille use include driver Model 805 (12W dual cone), 810 (15W dual cone), or CT830 (20W coaxial).

Grille Model AP300 is designed for recessed installation to backbox Model PC312. For a surface version, use grille Model AP700 and backbox Model PC712. This attractive grille is a two piece grille/subplate assembly. The grille is formed from a single piece of 18-gauge steel with a fine perforated face and integral frame border. The subplate features a clock cutout on one side and a speaker cutout on the other with provisions and hardware for attaching the universal clock mounting bracket in horizontal or vertical orientation. Additionally, the subplate features welded studs for installing an 8" speaker driver. The subplate mounts to the grille (after clock bracket and driver installation) using four screws. The grille/subplate assembly then mounts to recessed backbox Model PC312 using hinges and screws for easy service access with security. Overall dimensions of grille Model AP300 are 27.25"L x 17"W. The subplate is finished in black powder epoxy and the grille is finished in white powder epoxy for attractive and durable performance.

Recessed Backbox Model PC312 is designed for recessed installation of speaker-clock grille Model AP300. It is formed from 20 gauge steel and measures 26"L x 16"W x 3"D with a divider between the clock and speaker mounting sections. Symmetrical design features uniform compound knockouts for 1/2" - 3/4" conduit on the top and bottom, right and left sides, and in the divider for error-free job site installation. Additionally, one side features acoustic deadener to help absorb speaker resonance. The backbox is finished in black powder epoxy.



AP300 speaker-clock grille mounts horizontal or vertical to recessed backbox Model PC312 (grille shown with clock - by others). Order speaker separately.



One side features acoustic deadener to help absorb speaker resonance.

PC312 Recessed Backbox for Model AP300

Grille Model	Description	Dimensions	Finish	Mounts (order separately)		
				Speaker*	Clock**	Backbox
AP300	Hinged speaker-clock grille	27.25"L x 17"W	White	8"	12"	PC312

*Lowell offers a wide selection of 8" speaker drivers including dual cone 10oz Series 810 and dual cone 5oz Series 805 with factory wired 70V or 25V transformers.
**Universal clock mounting bracket will accommodate most 12" analog clocks (by others).

Backbox Model	Style	Dimensions	Knockouts	Finish	Mounts Grille
PC312	Recessed	26"L x 16"W x 3"D	1/2"-3/4" top, bottom & divider	Black	AP300

Lowell Manufacturing Company • 100 Integram Drive • Pacific, Missouri 63069 U.S.A.

Call 800.325.9660, 636.257.3400 • Fax 636.257.6606 • Click www.lowellmfg.com

Lowell makes every effort to provide accurate information and reserves the right to change specifications and/or improve manufacturing methods. Printed in U.S.A. © 09-15-03

Download and print this spec from www.lowellmfg.com



3c-601

pg 1 of 2

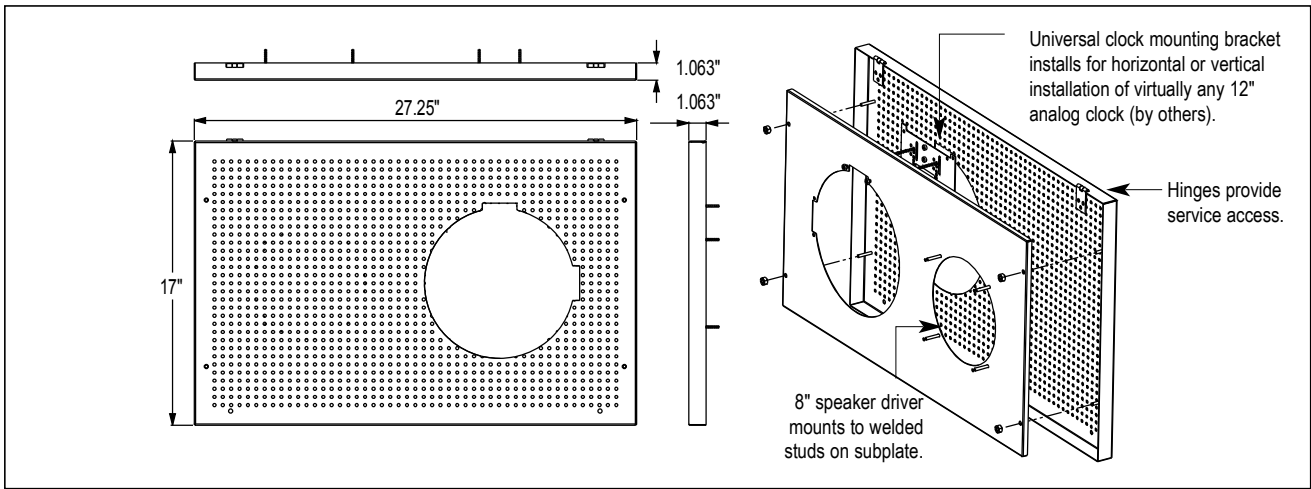
A & E Specifications

The combination speaker-clock grille for recessed wall installation shall be Lowell Model AP300 with companion recessed backbox Model PC312.

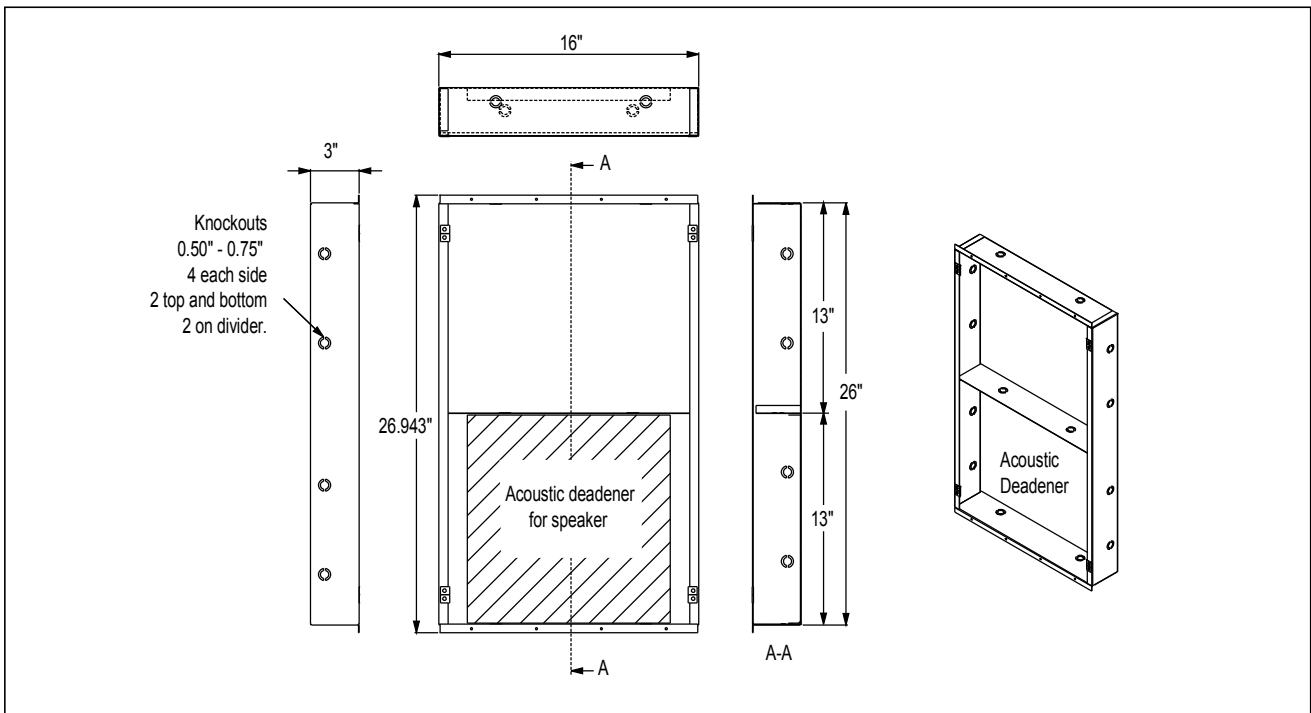
The speaker-clock grille Model AP300 shall be formed from 18 gauge steel and measure 27.25"L x 17"W. The grille shall be two piece with a perforated face and separate subplate for mounting a 12" clock on one side and an 8" speaker on the other. The clock cutout shall include provisions and hardware to field mount the universal clock bracket for horizontal or vertical installation of a 12" analog clock (by others). The speaker cutout shall be equipped with con-

cealed speaker mounting studs to accommodate a standard 8 inch driver (order separately). The grille shall be finished in white powder epoxy and include hinges and screws for installation to recessed backbox Model PC312.

Recessed backbox Model PC312 is formed from 20 gauge steel and measures 26"L x 16"W x 3"D with a divider between the speaker and clock mounting sections. Uniform knockouts on the top and bottom, right and left sides, and in the divider are compound 1/2" - 3/4". One section of the divided backbox (for the speaker) shall be equipped with acoustic deadener. The backbox shall be finished in black powder epoxy.



AP300 speaker-clock grille with subplate



PC312 recessed backbox

Lowell Manufacturing Company • 100 Integram Drive • Pacific, Missouri 63069 U.S.A.

Call 800.325.9660, 636.257.3400 • Fax 636.257.6606 • Click www.lowellmfg.com

Lowell makes every effort to provide accurate information and reserves the right to change specifications and/or improve manufacturing methods. Printed in U.S.A. © 09-15-03

3c-601

pg 2 of 2