

**FEATURES**

- Current time displayed in six-digit format (HH:MM:ss)
- 8" Wide Range Response Speaker
- Built-in 25 Volt Audio Transformer
- Date displayed in day of the week/month/date format
- Enhanced message display capabilities
- Elapsed time capabilities, count up/down
- Synchronizes with Master Clock using digital protocol
- Anti-reflective cover optimizes readability
- Wide viewing angle

**DESCRIPTION**

The Telecor 2443 Digital Calendar Clock/Speaker/Baffle Assembly is designed for use with Telecor's II/XL Communication Systems and/or the 2400 Master Clock. The assembly is ideal for use in schools and institutional environments.

The 2443 is a combination of two existing Telecor products assembled on a common baffle. The 2443 is equipped with the Telecor S8T2570 8" loudspeaker/transformer ideal for music and voice reproduction. The speaker components consist of an 8" cone loudspeaker equipped with a 25/70 volt line-matching transformer. The transformer features colour-coded primary taps at ¼, ½, 1, 2, and 4 watts. Secondary leads are soldered to the speaker terminals. The assembly also incorporates the 2484 Digital Calendar Clock that simultaneously displays the current time and date. The time is displayed in hours, minutes, and seconds. Hours and minutes are displayed with large 2.25" digits. Seconds are slightly smaller for easy distinction. The date is displayed in plain text by a 10-character, dot matrix display showing the day of the week, followed by the month and date.

All secondary clocks are continuously synchronized with the Master; corrections are done instantaneously and all clocks display the identical time and date. In the event of a power failure, the Telecor system maintains proper timekeeping during the outage. Once power is restored, all clocks are immediately updated with the correct time and date.

The 2484 utilizes AIGaAS "Super-Bright" LED displays which have exceptional visibility and can be viewed from up to 120 feet away.

**Enhanced Clock Messaging**

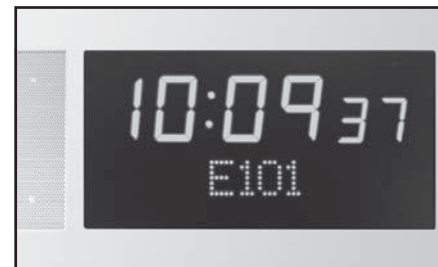
In addition to displaying the time, the 2484 can be directly engaged by the Telecor software to display messages in the dot matrix section of the display. These messages can be used to alert personnel of an emergency or a situation of concern. This is ideal for communicating visual messages to hearing-impaired persons during critical situations.



Scrolling Messages

Messages can be activated by the Telecor II/XL Event Scheduler, allowing text to be displayed at specific times and days of the week. Messages can be displayed using a variety of visual effects including scrolling or flashing single lines of text, as well as alternating between different lines of text.

The 2484 can also be used as an ancillary visual annunciator to display emergency calls placed on the Telecor II/XL Communications System. When an emergency call is placed, it is shown in the messaging area of the display until the call is cleared from the system. The dot matrix display defaults back to the date when not displaying messages.

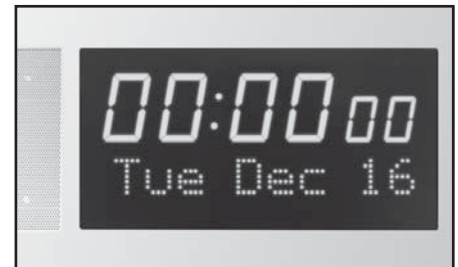


Display of Active Emergency Call Location

**Elapsed Timer Operation**

The 2484 can be used as an elapsed digital timer, providing stopwatch functionality, indicating elapsed time on the six-digit display.

Elapsed timer functions include the ability to count upwards from zero to 24 hours, as well as counting down to zero from a specified value. The elapsed timer is controlled using the Telecor 2481-TBP Timer Button Panel, providing start, stop, and reset functionality. When not operating as an elapsed timer, the 2484 defaults back to displaying the current time.



Elapsed Timer Operation

The 2484, when incorporated into the 2443 Assembly, operates from a 24 VAC power source.

continued...

---

## 2443 DIGITAL CALENDAR CLOCK/SPEAKER/BAFFLE ASSEMBLY SPECIFICATIONS

---

### CONE SPEAKER

Speaker Diameter: 8" (203mm)  
Power Rating: 10 watts  
Frequency Range: 50 Hz to 15,000 Hz  
Magnet: 6 oz  
Axial Sensitivity: 95dB @ 4 ft. (1 watt input)  
Depth: 2 3/4" (70 mm)  
Mounting Holes: 4 holes @ 90 degrees  
7 5/8" d (19.4 cm)

### TRANSFORMER

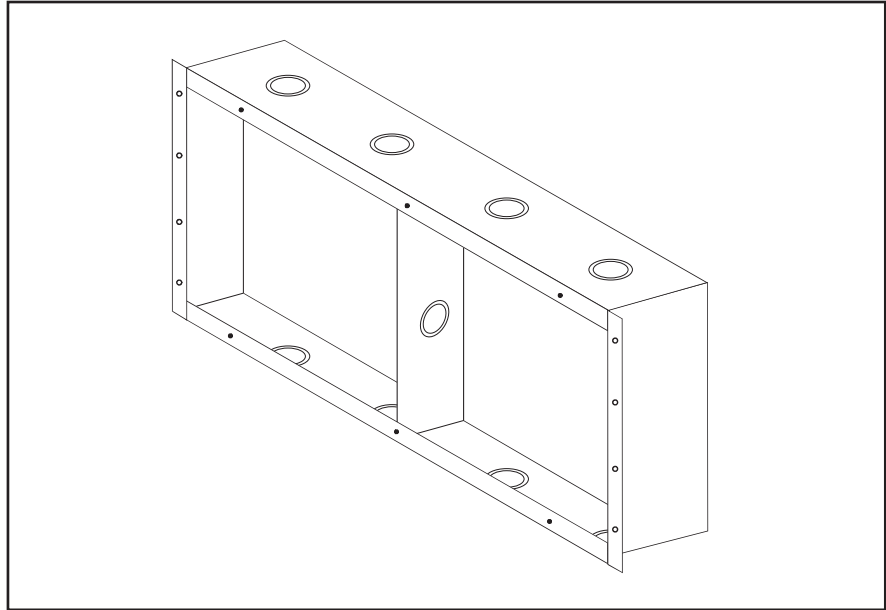
Type: Dual Voltage (25/70 volt)  
Power Rating: 4 watts  
Freq. Response: 50 to 18,000 Hz  
Primary Taps: 25 volt / 70 volt  
Secondary Taps: 4, 2, 1, 1/2, and 1/4 watt  
Prim. Impedance:  
25 volt: 155, 312, 625, 1250, 2250  
70 volt: 1125, 2450, 4900, 9800  
19600 ohms  
Sec. Impedance: 8 ohms  
Terminations: 4" colour-coded leads

### DISPLAY

Type: Red AlGaAs "Super-Bright"  
LEDS  
Display Characters:  
Time: 7 Segment  
Date/Message: Dot Matrix  
Character Height:  
Time Display: HH, MM, 2.25"; SS; 1.5"  
Date Display: 1.0"  
Operating Voltage 24 VAC  
Current Consumption: 220 mA @ 24 VAC

### BAFFLE

Dimensions: 28" W x 13.5" H, 3.75" D  
Material: 18 Gauge CRS  
Finish: Textured, Semi-Gloss Enamel  
Color: White



2443-BBF Recessed Backbox

---

### PARTIAL LIST OF ASSOCIATED EQUIPMENT

---

Telecor II/XL	Administrative Communications Systems
2400	Master Clock
RCD-7-T2	Remote Clock Driver
RCD-7-XL	Remote Clock Driver
2443-BBF	Recessed Backbox
2443-BBS	Surface Backbox
2405	24 VAC 5 A Power Supply
2406	24 VAC 10 A Power Supply

All product information subject to change without  
notice.